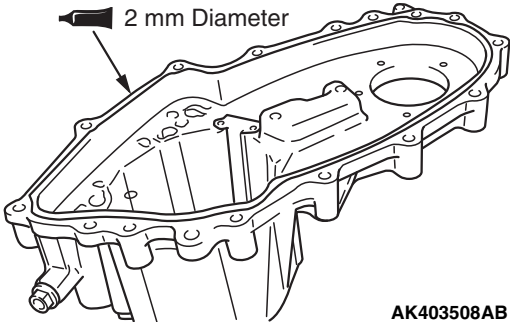


2 mm Diameter



AK403508AB