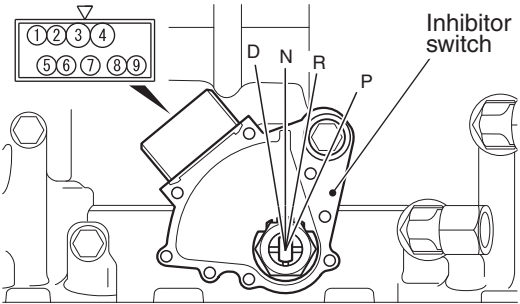


Inhibitor  
switch

D  
N  
R  
P



**AC805021AI**