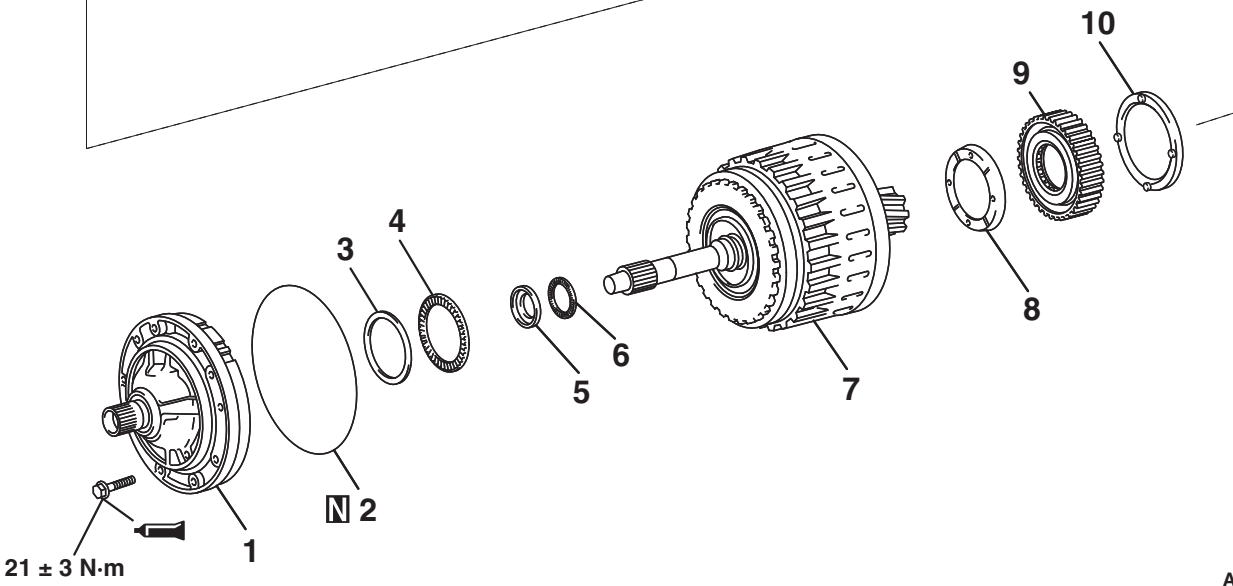
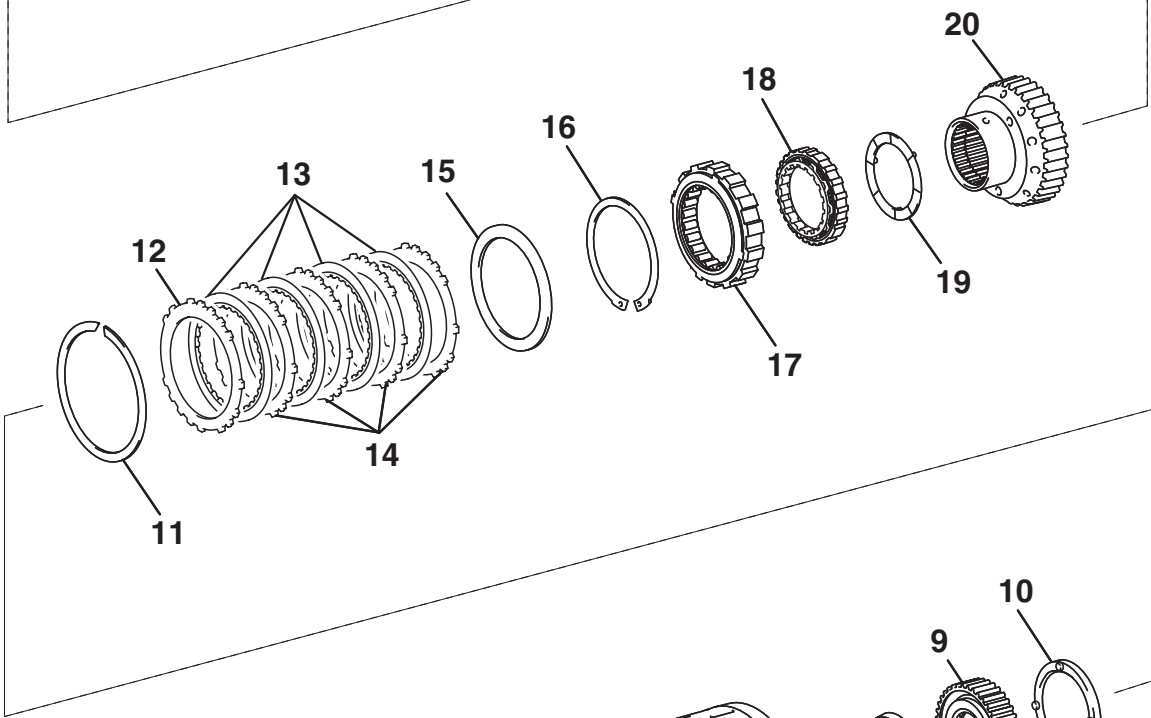
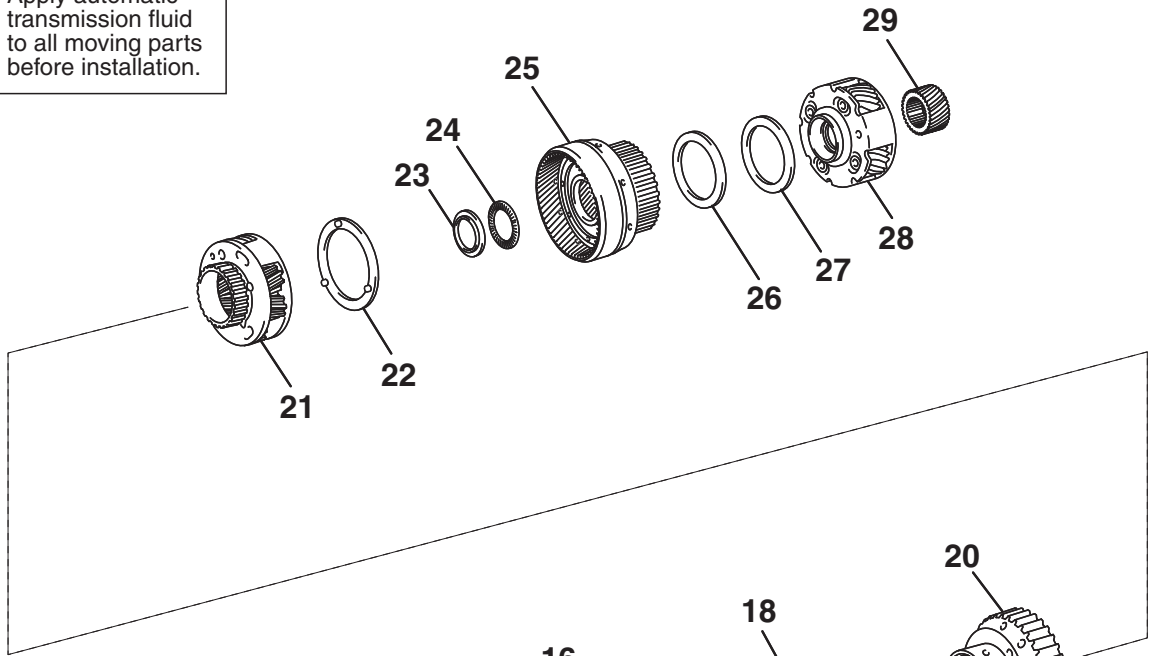
 Apply automatic transmission fluid to all moving parts before installation.



21 ± 3 N·m