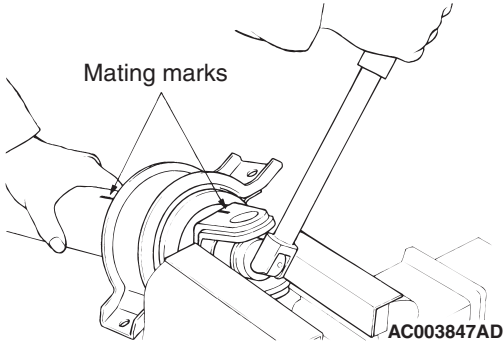


Mating marks



AC003847AD