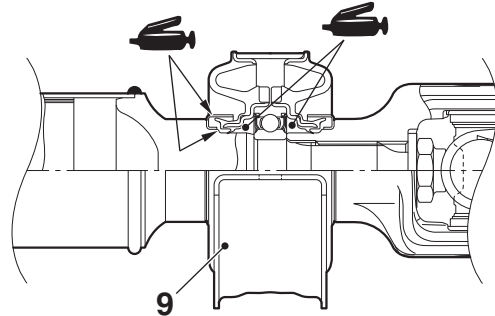
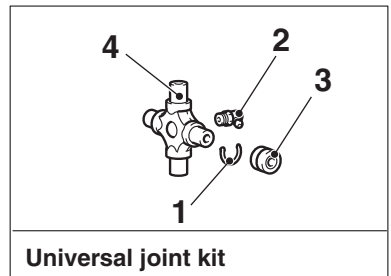
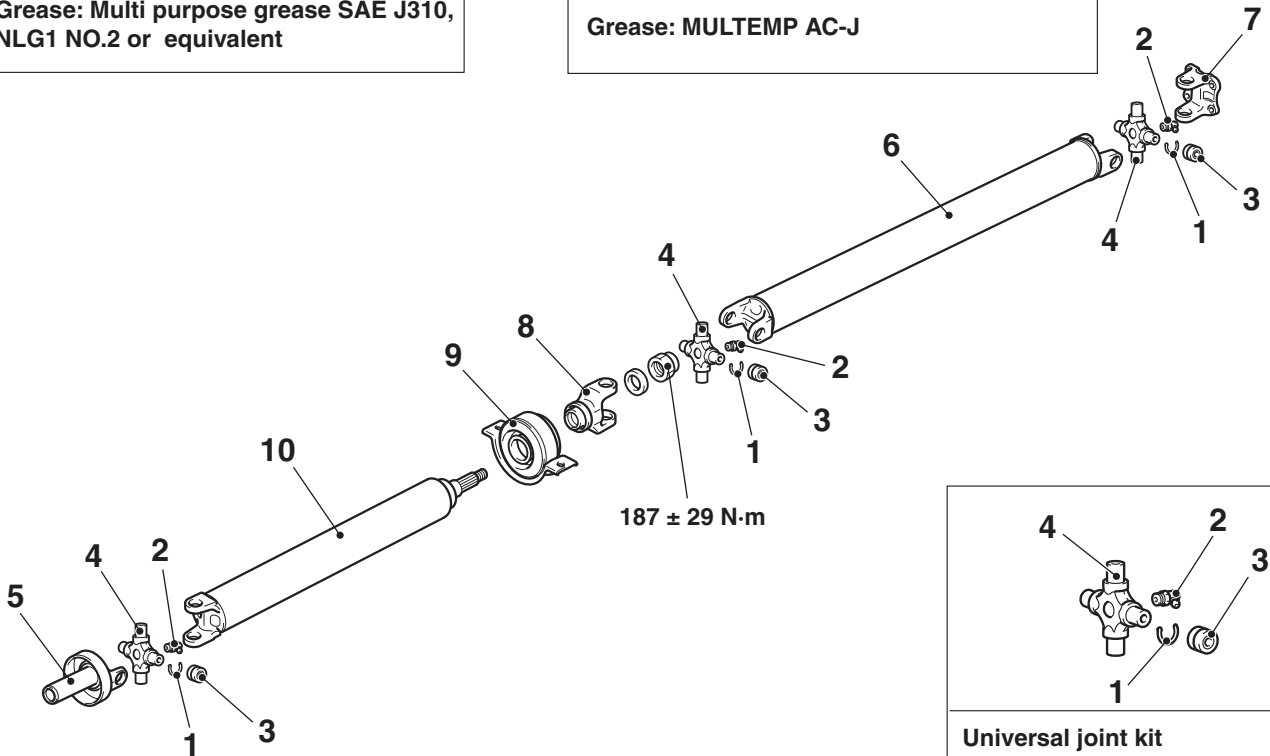


Grease: Multi purpose grease SAE J310, NLG1 NO.2 or equivalent



Grease: MULTEMP AC-J



Universal joint kit