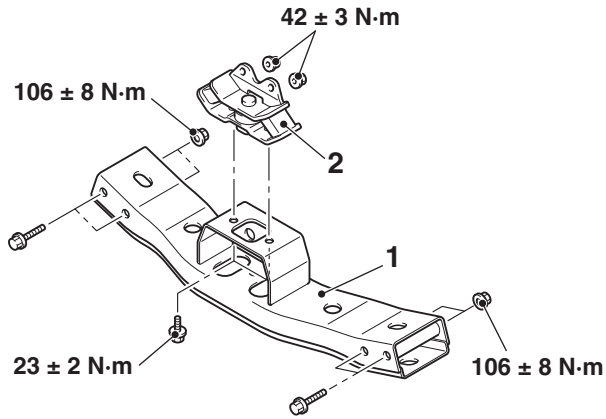
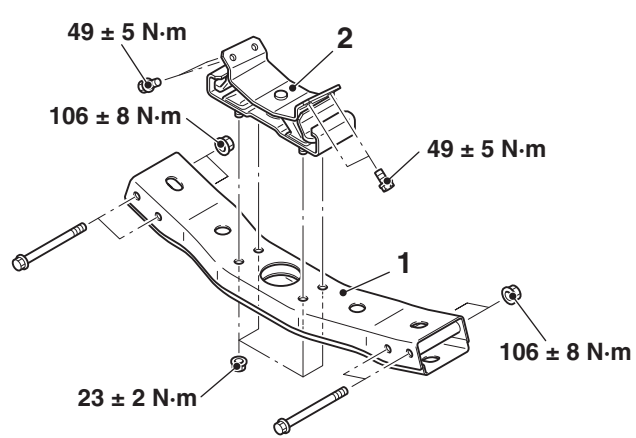


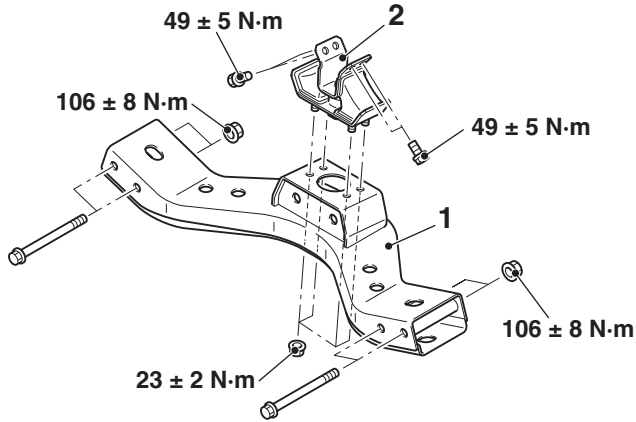
<5M/T-2WD>



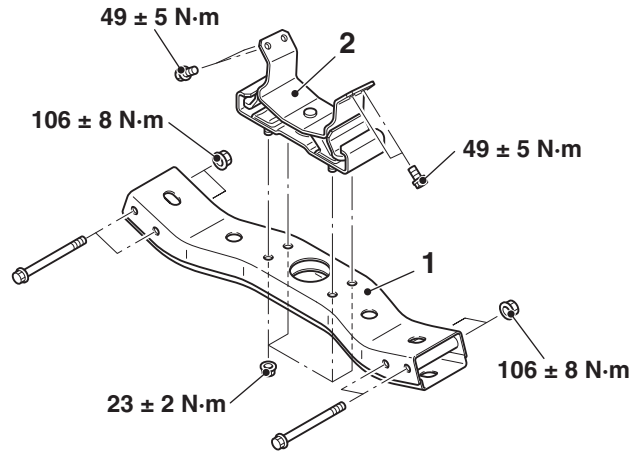
<5M/T-4WD>



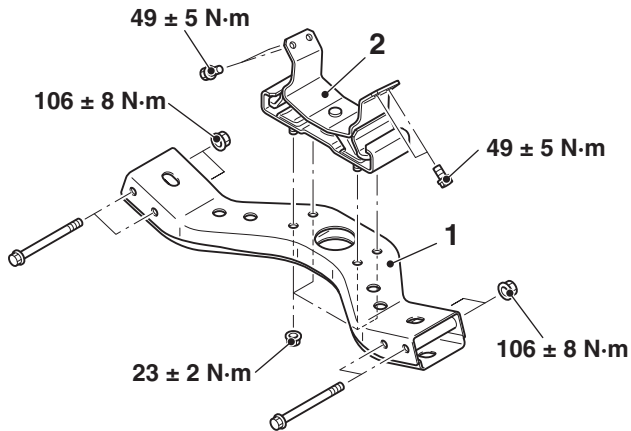
<5A/T-2WD, 6M/T-2WD>



<5A/T-4WD>



<6M/T-4WD>



<8A/T-2WD>

