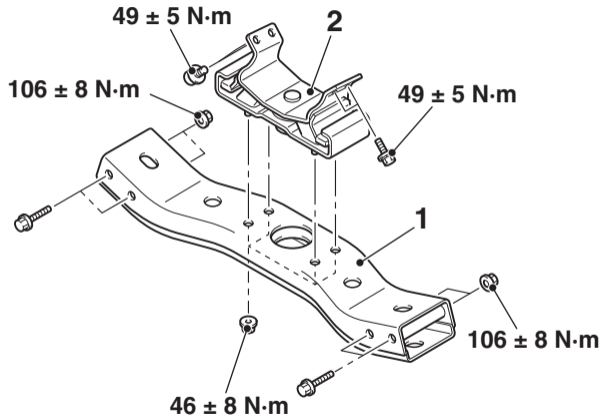


<8A/T-4WD (4N1)>



<8A/T-4WD (6B3)>

