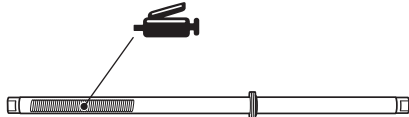
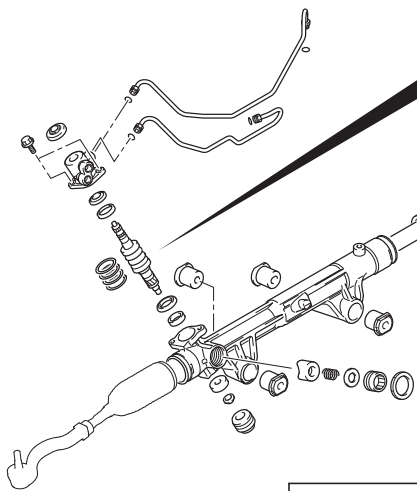


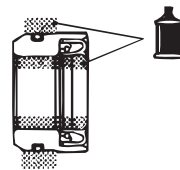
Grease: Repair kit grease

**Fluid: MITSUBISHI MOTORS GENUINE PSF
(Power Steering Fluid) or DEXRON III, DEXRON II**

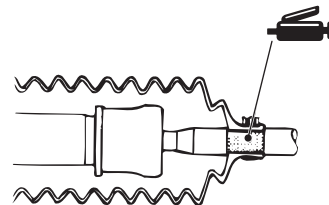
Sealant: 3M ATD Part No. 8663 or equivalent



Grease: Repair kit grease



**Fluid: MITSUBISHI MOTORS GENUINE
PSF (Power Steering Fluid) or
DEXRON III, DEXRON II**



Grease: Silicone grease