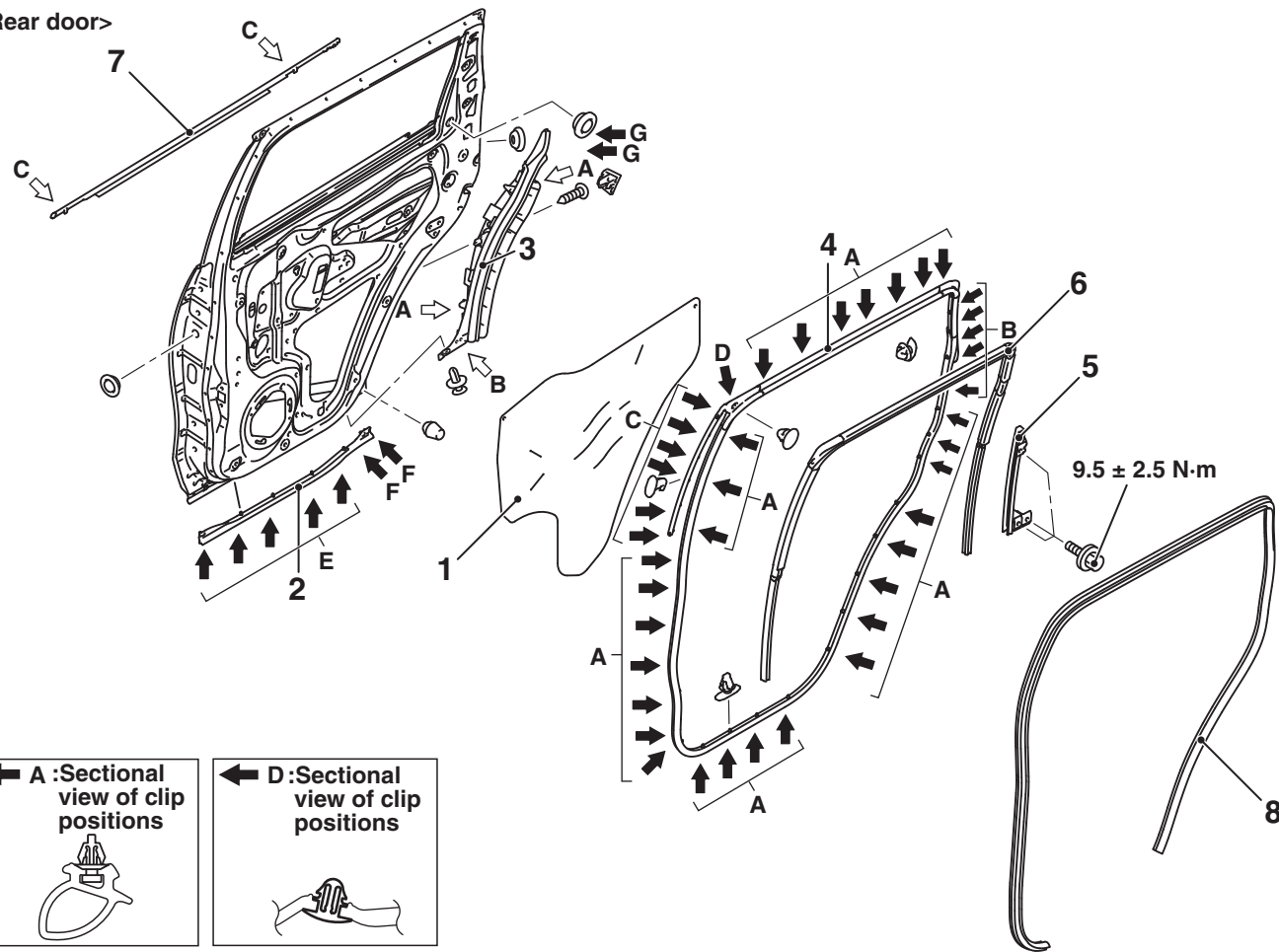


<Rear door>



← A :Sectional view of clip positions



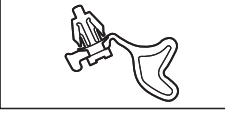
← D :Sectional view of clip positions



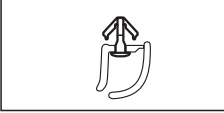
← B :Sectional view of clip positions



← E :Sectional view of clip positions



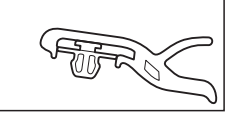
← C :Sectional view of clip positions



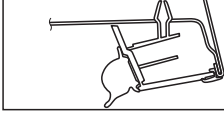
← F :Sectional view of clip positions



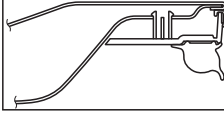
← G :Sectional view of clip positions



← A :Sectional view of claw positions



← B :Sectional view of claw positions



← C :Sectional view of claw positions

