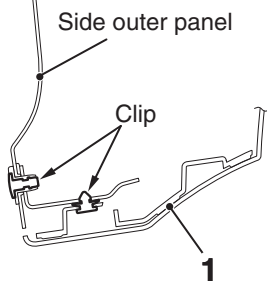
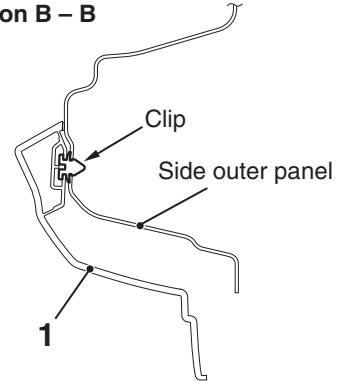


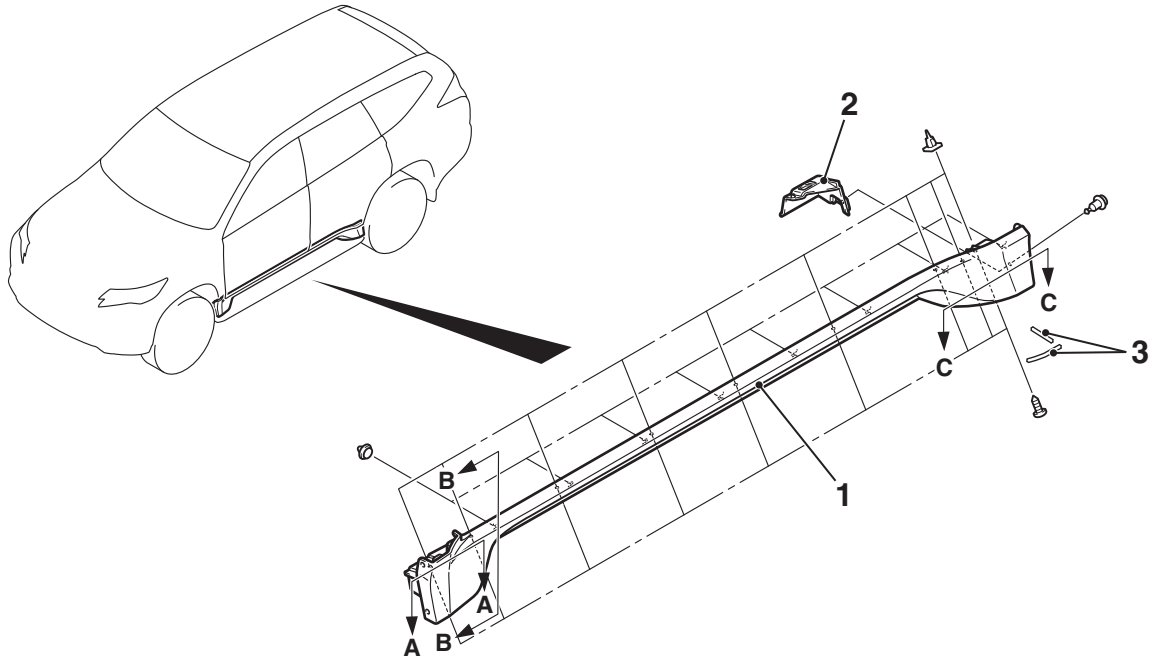
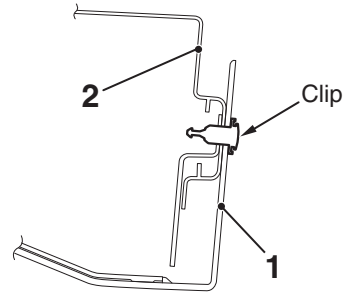
Section A – A



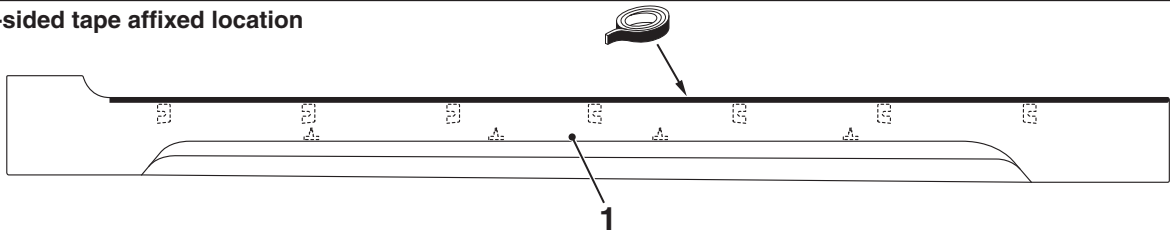
Section B – B



Section C – C



Double-sided tape affixed location



Double-sided tape: Generic products 4.0 mm width, 1.2 mm thickness
Specified primer: 3M K-500