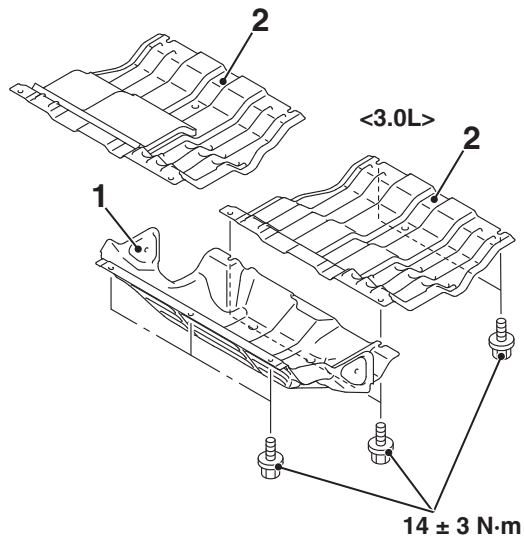
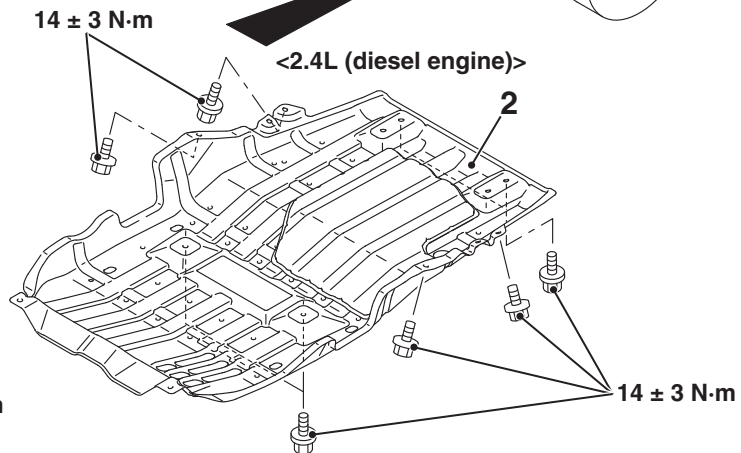


<2.4L (petrol engine)>



<3.0L>



<2.4L (diesel engine)>

