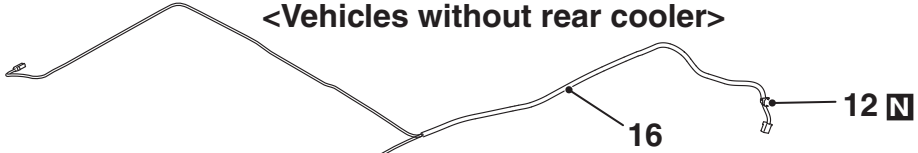
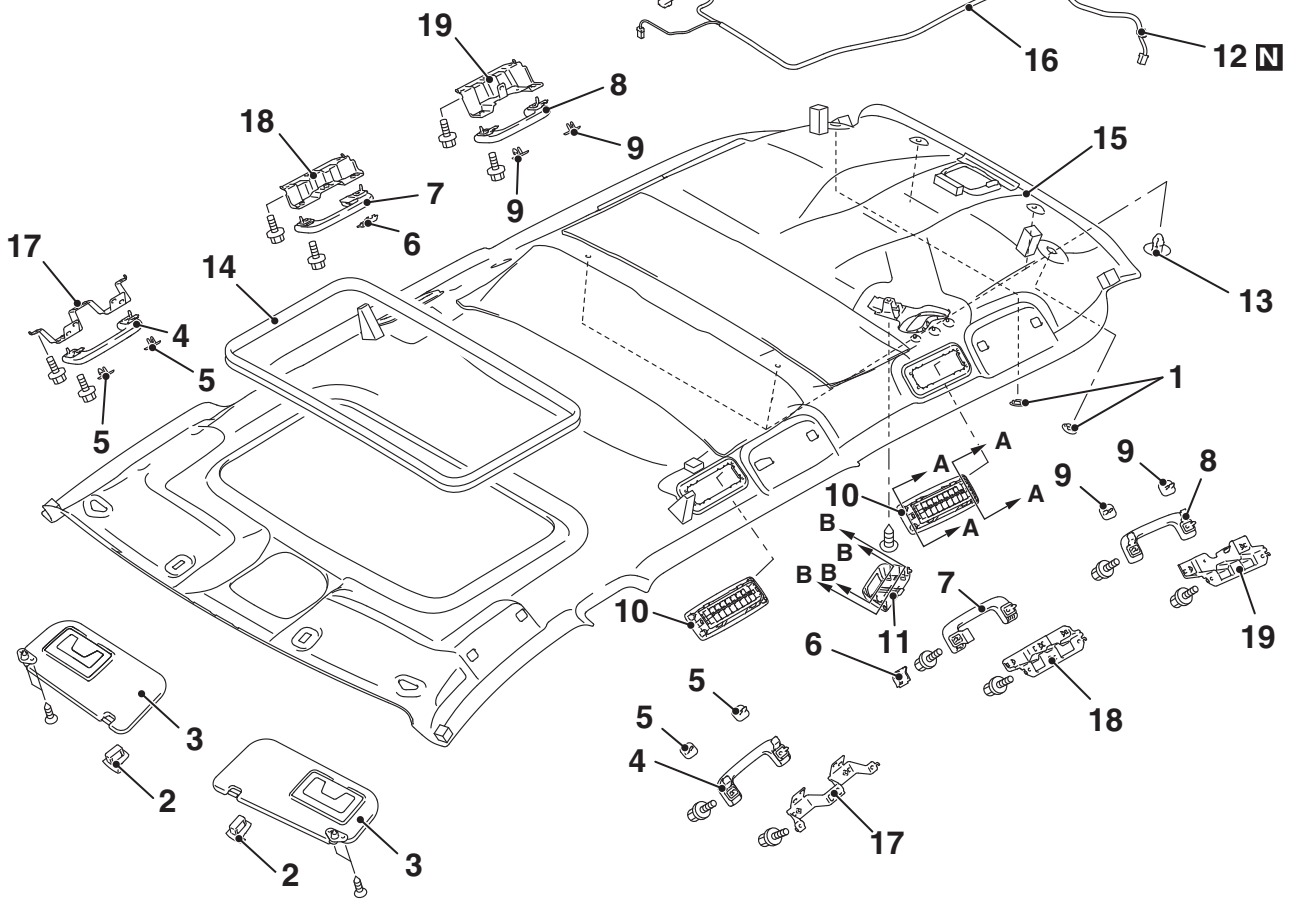
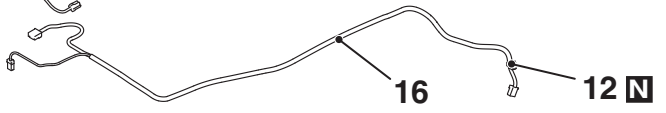


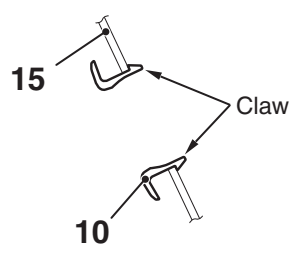
<Vehicles without rear cooler>



<Vehicles with rear cooler>



Section A - A



Section B - B

