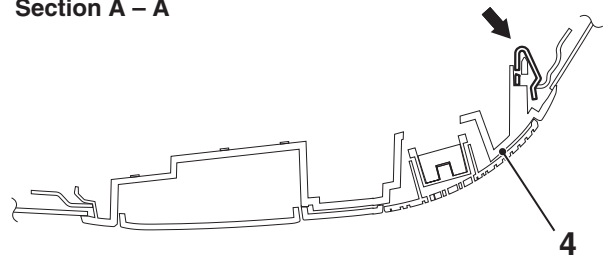
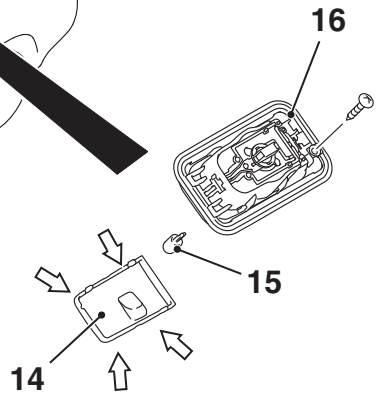
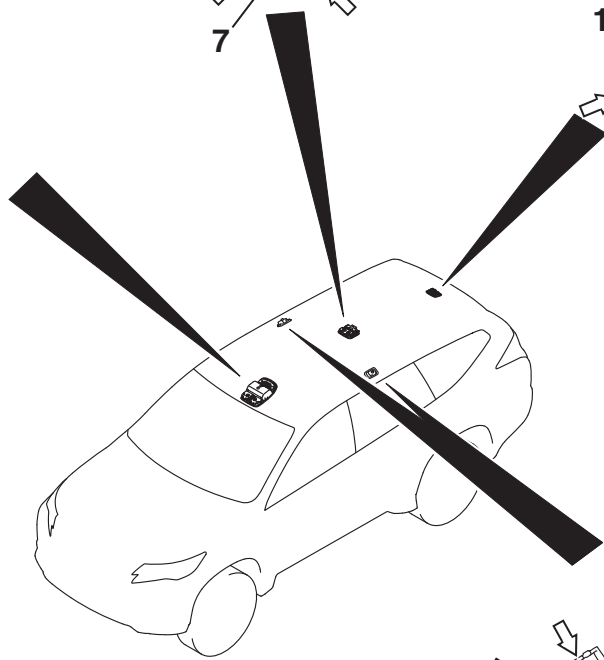
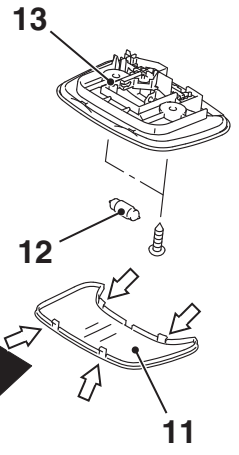
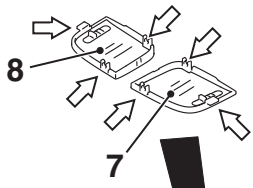
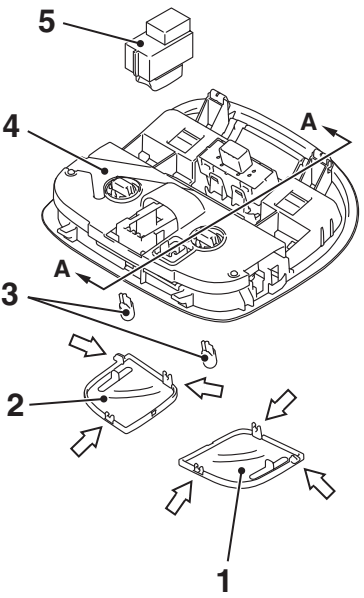
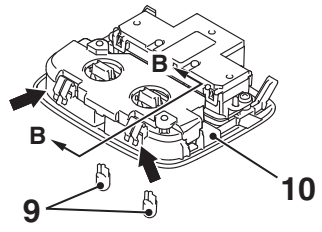
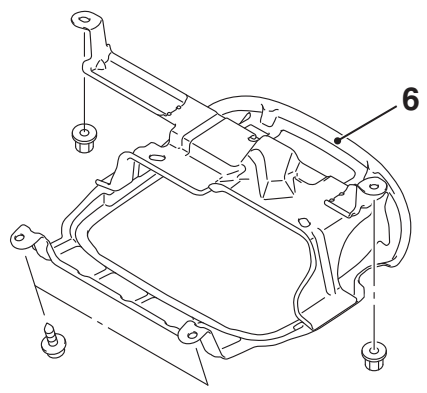
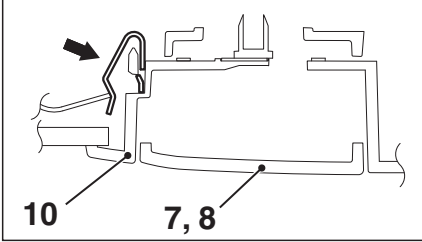


Section A - A



Section B - B



NOTE

- ➡ : Clip positions
- ↔ : Claw positions