

<Vehicles without rear cooler>

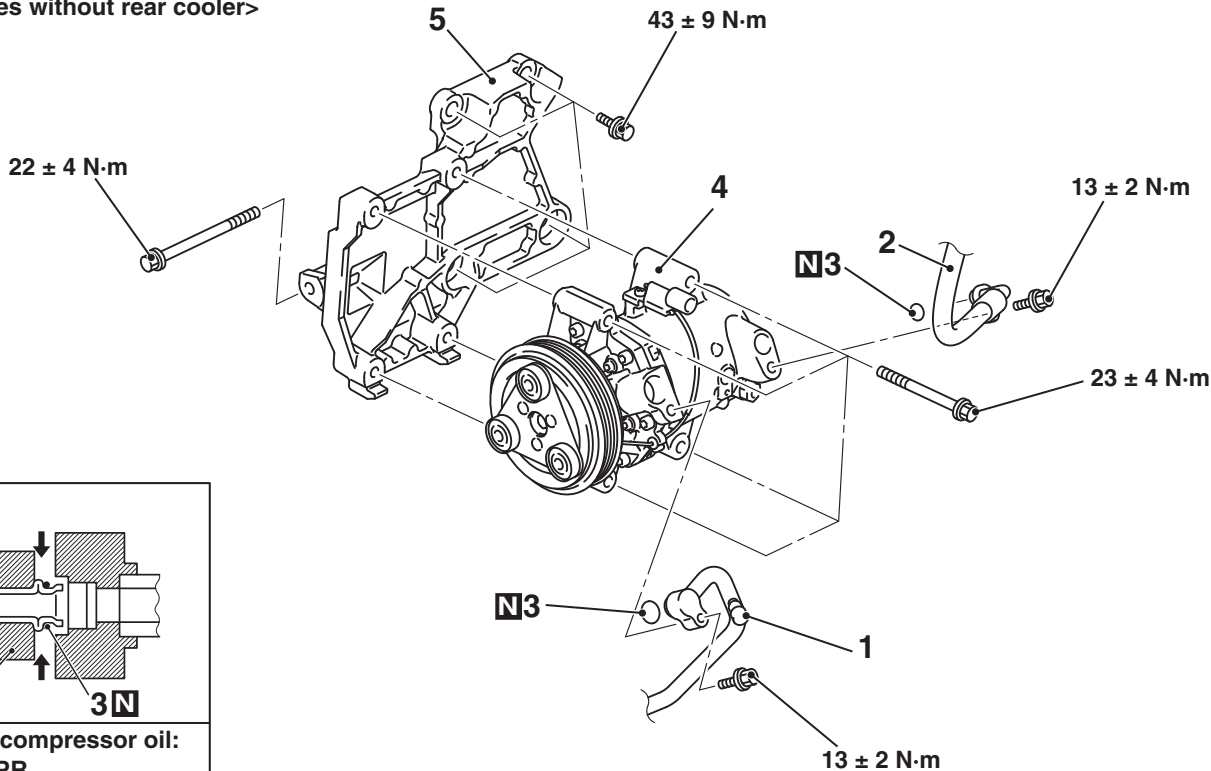


Diagram illustrating the assembly of the seal (1) into the compressor housing (2). The torque specification for the seal is:

- Seal torque: 3 N

A/C compressor oil:
DH-PR