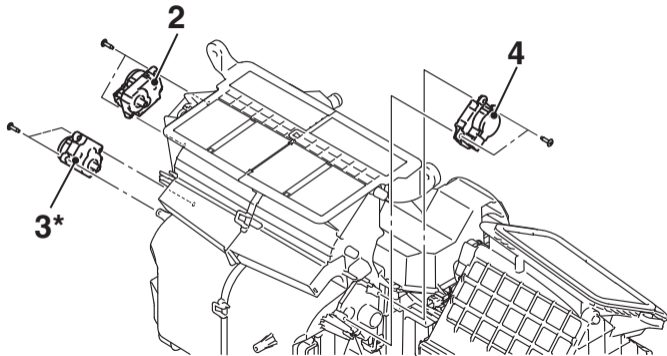
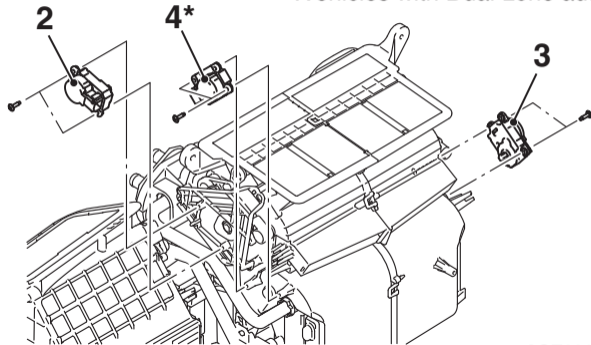


<L.H.drive vehicles>



<R.H.drive vehicles>



NOTE

*:Vehicles with Dual-zone auto A/C