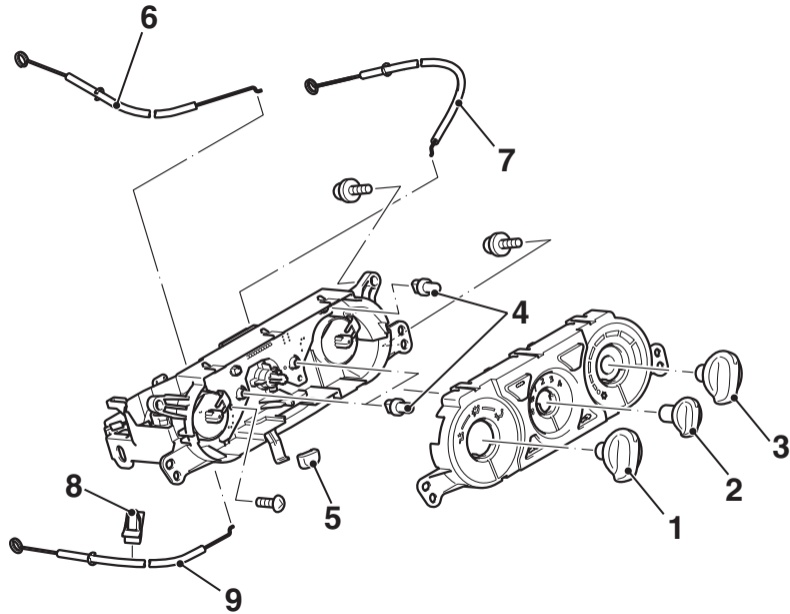


<Manual A/C>



ACF04116AB