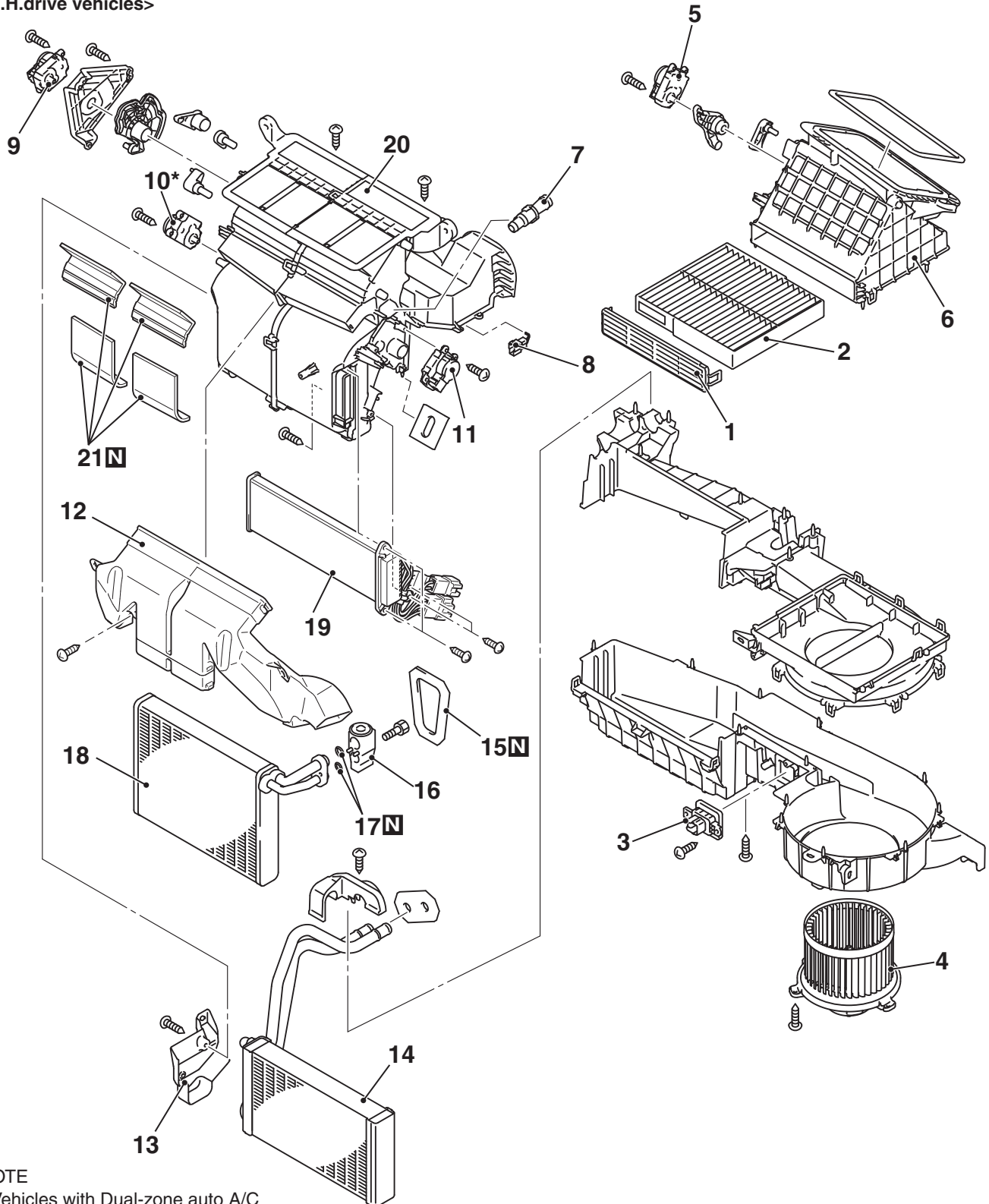


<L.H.drive vehicles>



NOTE  
\*:Vehicles with Dual-zone auto A/C