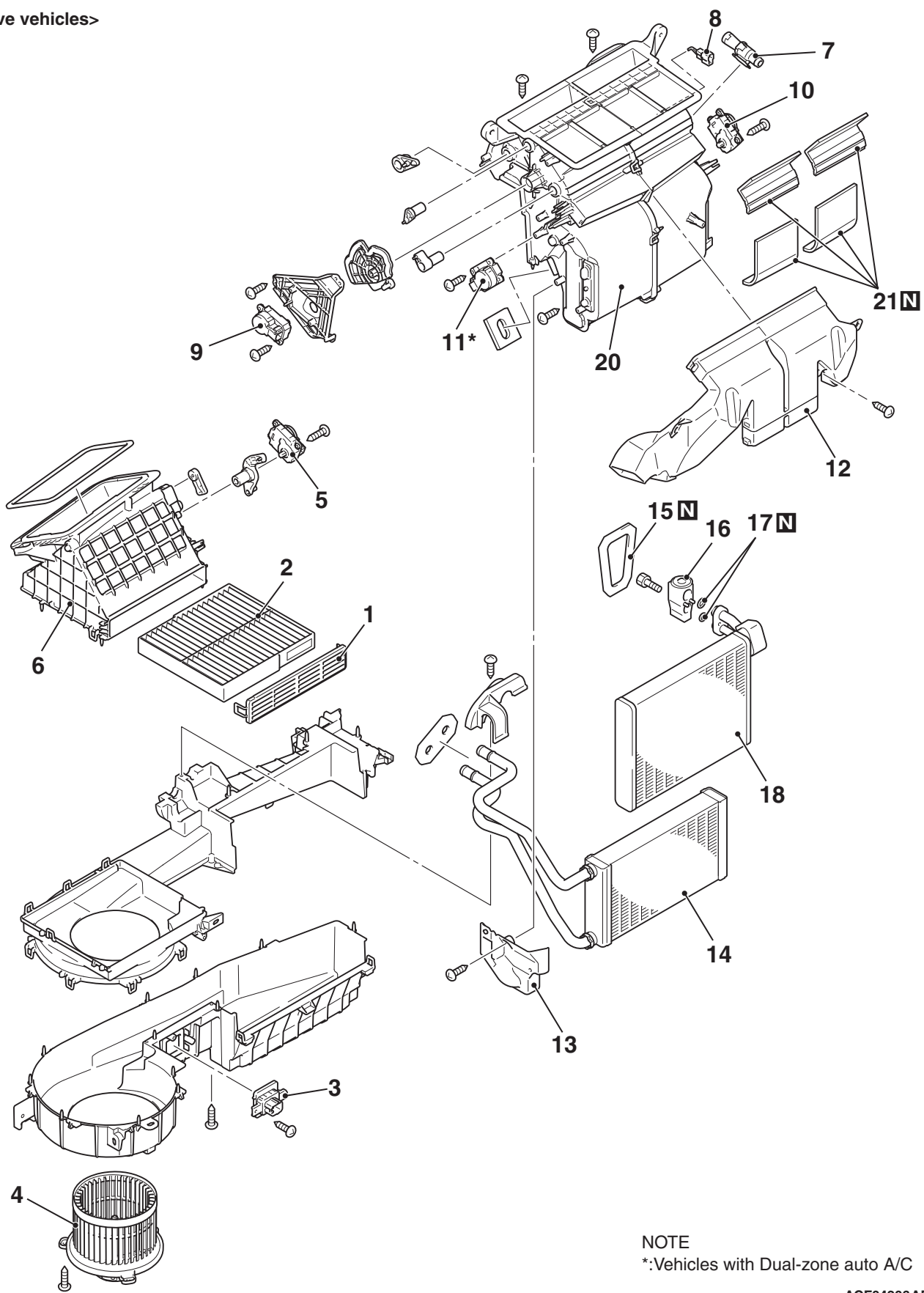


<R.H.drive vehicles>



NOTE
*:Vehicles with Dual-zone auto A/C