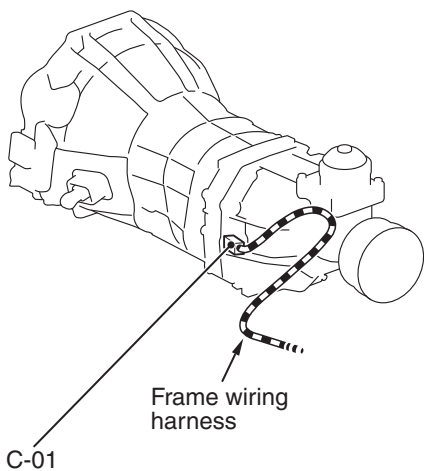


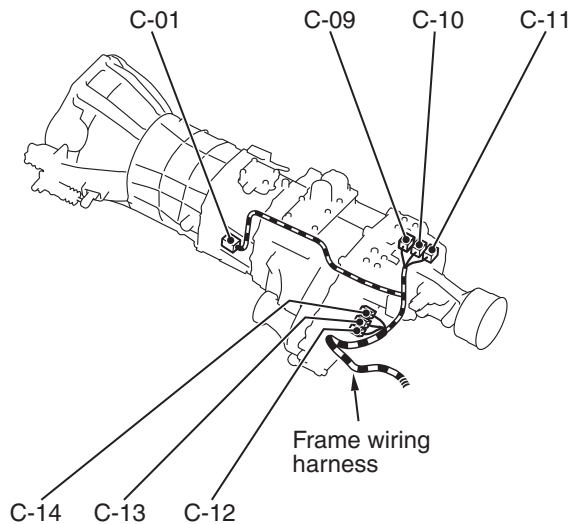
Connector
symbol

C

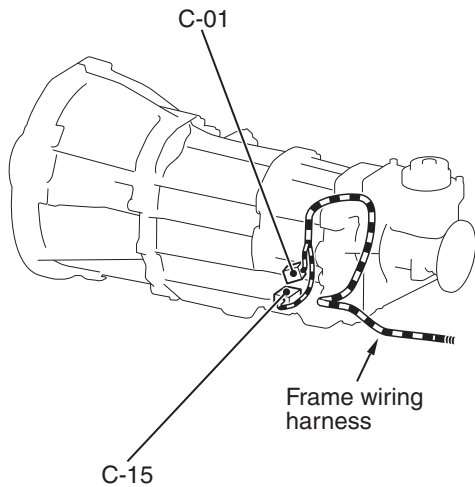
<R5MB1>



<V5MB1>



<R6M5A>



<V6M5A>

