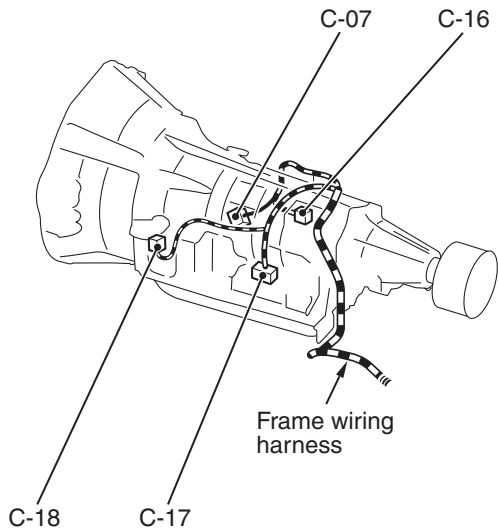


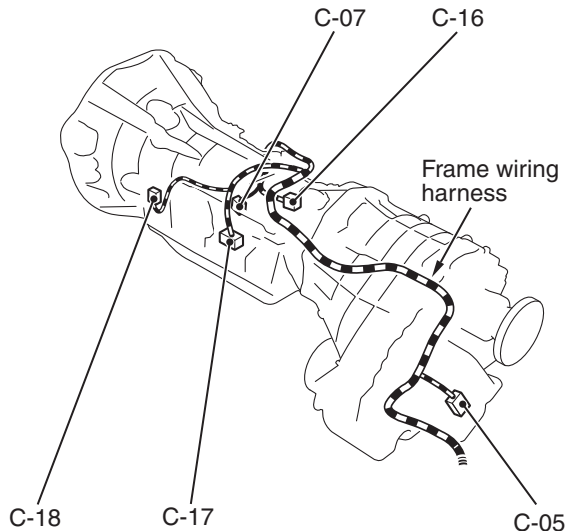
Connector
symbol

C

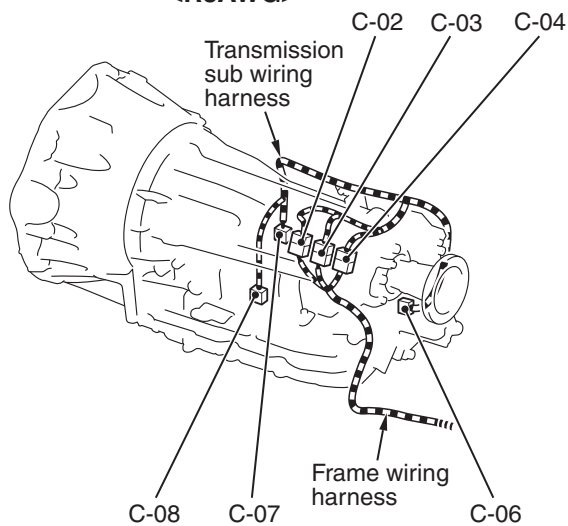
<R5AWF>



<V5AWF>



<R8AWG>



<V8AWG>

