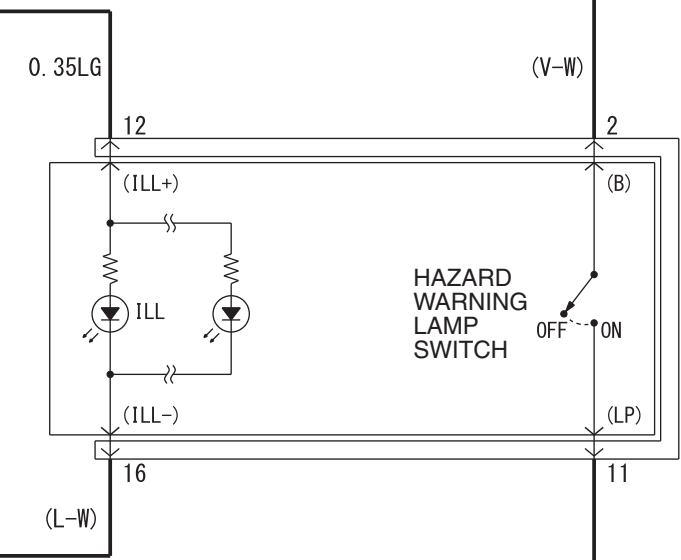
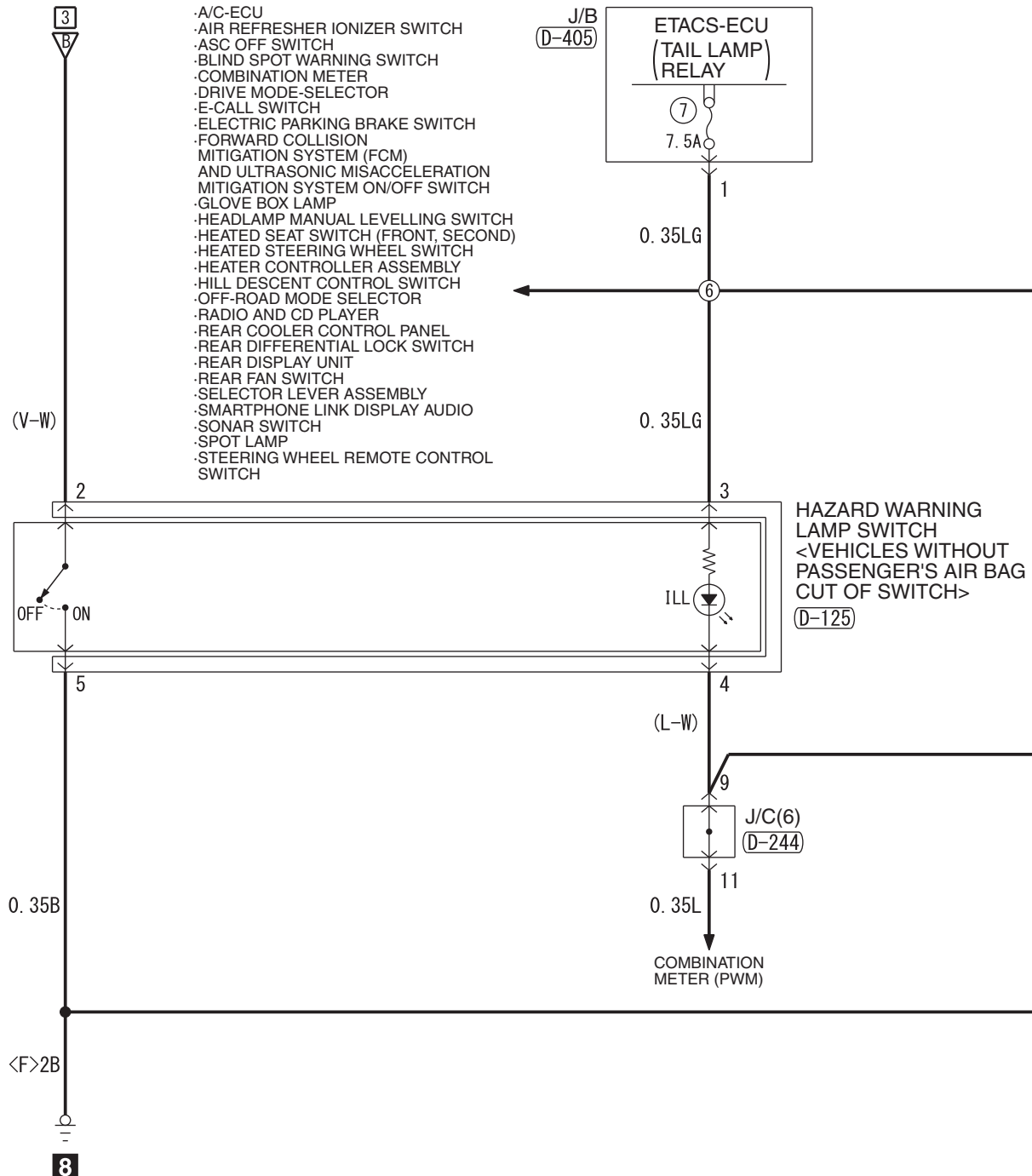
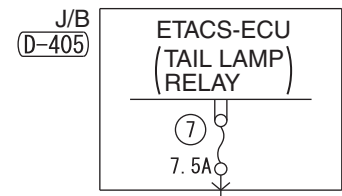


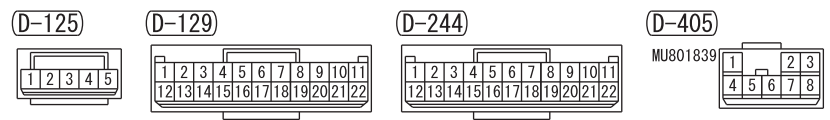
ETACS-ECU

ETACS-ECU

- A/C-ECU
- AIR REFRESHER IONIZER SWITCH
- ASC OFF SWITCH
- BLIND SPOT WARNING SWITCH
- COMBINATION METER
- DRIVE MODE-SELECTOR
- E-CALL SWITCH
- ELECTRIC PARKING BRAKE SWITCH
- FORWARD COLLISION MITIGATION SYSTEM (FCM) AND ULTRASONIC MISACCELERATION MITIGATION SYSTEM ON/OFF SWITCH
- GLOVE BOX LAMP
- HEADLAMP MANUAL LEVELLING SWITCH
- HEATED SEAT SWITCH (FRONT, SECOND)
- HEATED STEERING WHEEL SWITCH
- HEATER CONTROLLER ASSEMBLY
- HILL DESCENT CONTROL SWITCH
- OFF-ROAD MODE SELECTOR
- RADIO AND CD PLAYER
- REAR COOLER CONTROL PANEL
- REAR DIFFERENTIAL LOCK SWITCH
- REAR DISPLAY UNIT
- REAR FAN SWITCH
- SELECTOR LEVER ASSEMBLY
- SMARTPHONE LINK DISPLAY AUDIO
- SONAR SWITCH
- SPOT LAMP
- STEERING WHEEL REMOTE CONTROL SWITCH



HAZARD INDICATOR ASSEMBLY <VEHICLES WITH PASSENGER'S AIR BAG CUT OF SWITCH> (D-129)



Wire colour code
 B : Black LG : Light green G : Green L : Blue W : White Y : Yellow SB : Sky blue BR : Brown
 O : Orange GR : Grey R : Red P : Pink V : Violet PU : Purple SI : Silver BE : Beige