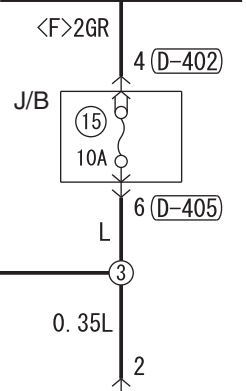
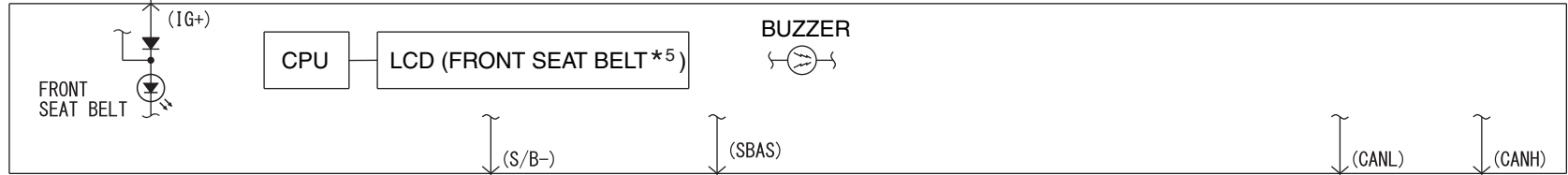


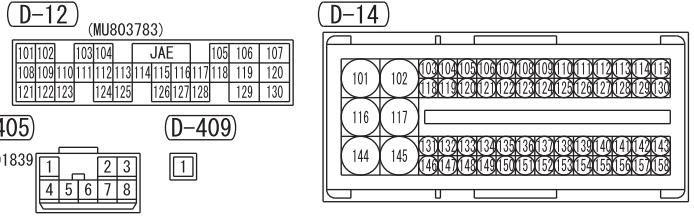
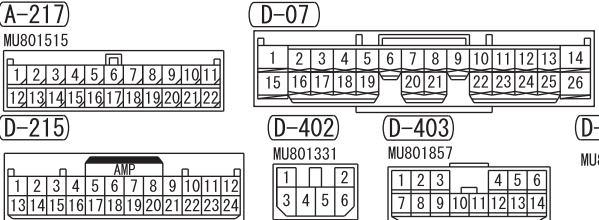
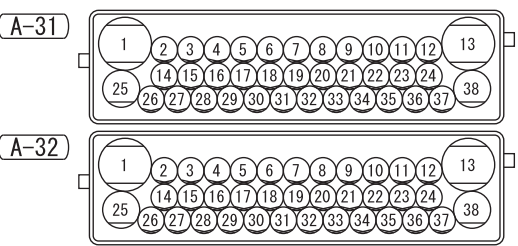
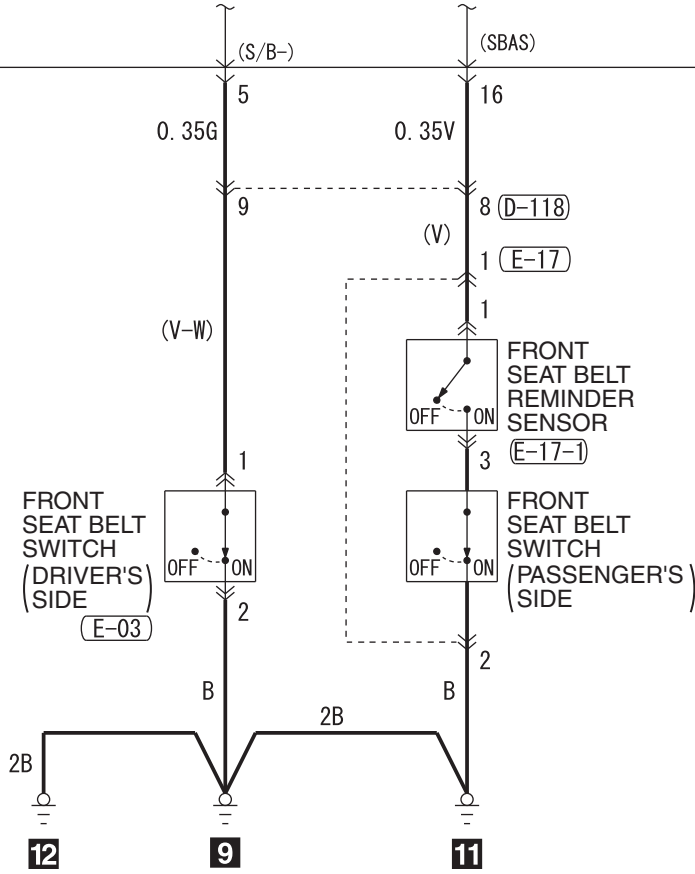
IGNITION SWITCH (IG1) OR IG1 RELAY



- .4WD INDICATOR-ECU
- .A/C-ECU
- .BLIND SPOT WARNING SWITCH CONTROL UNIT
- .COLUMN SWITCH (STEERING WHEEL SENSOR)
- .ELECTRIC PARKING BRAKE
- .ETACS-ECU
- .GATEWAY-ECU
- .HAZARD INDICATOR ASSEMBLY
- .SELECTOR LEVER ASSEMBLY (SHIFT LOCK SOLENOID, SHIFT SWITCH)
- .SONAR SWITCH
- .TRANSFER-ECU

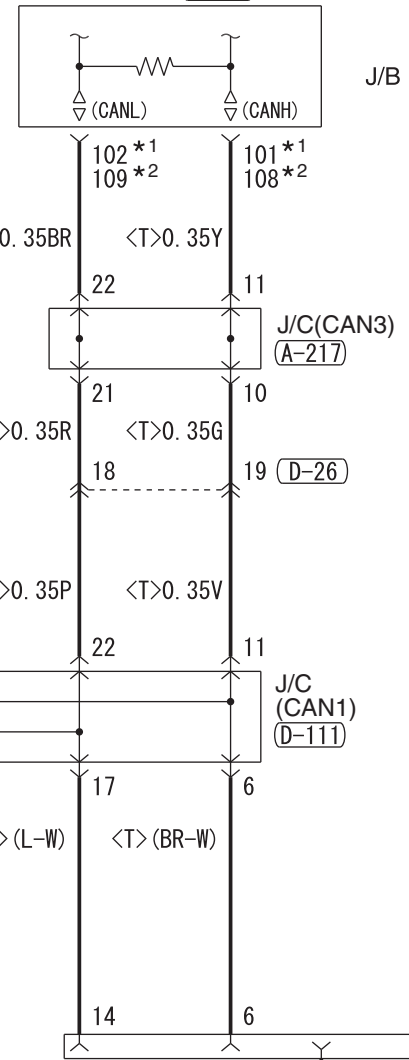


COMBINATION METER (D-215)



NOTE
 *1 : 6B3
 *2 : 4D5,4N1
 *3 : VEHICLES WITHOUT ASTC
 *4 : VEHICLES WITH ASTC
 *5 : COLOUR LIQUID CRYSTAL DISPLAY TYPE

ENGINE-ECU (D-12) *1 (D-14) *2



FUSIBLE LINK (2)

