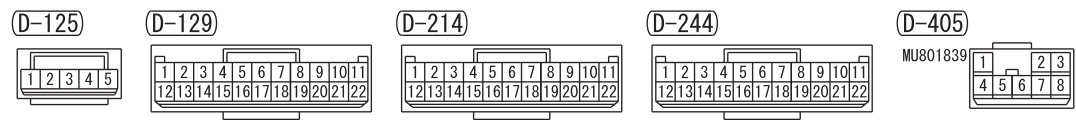
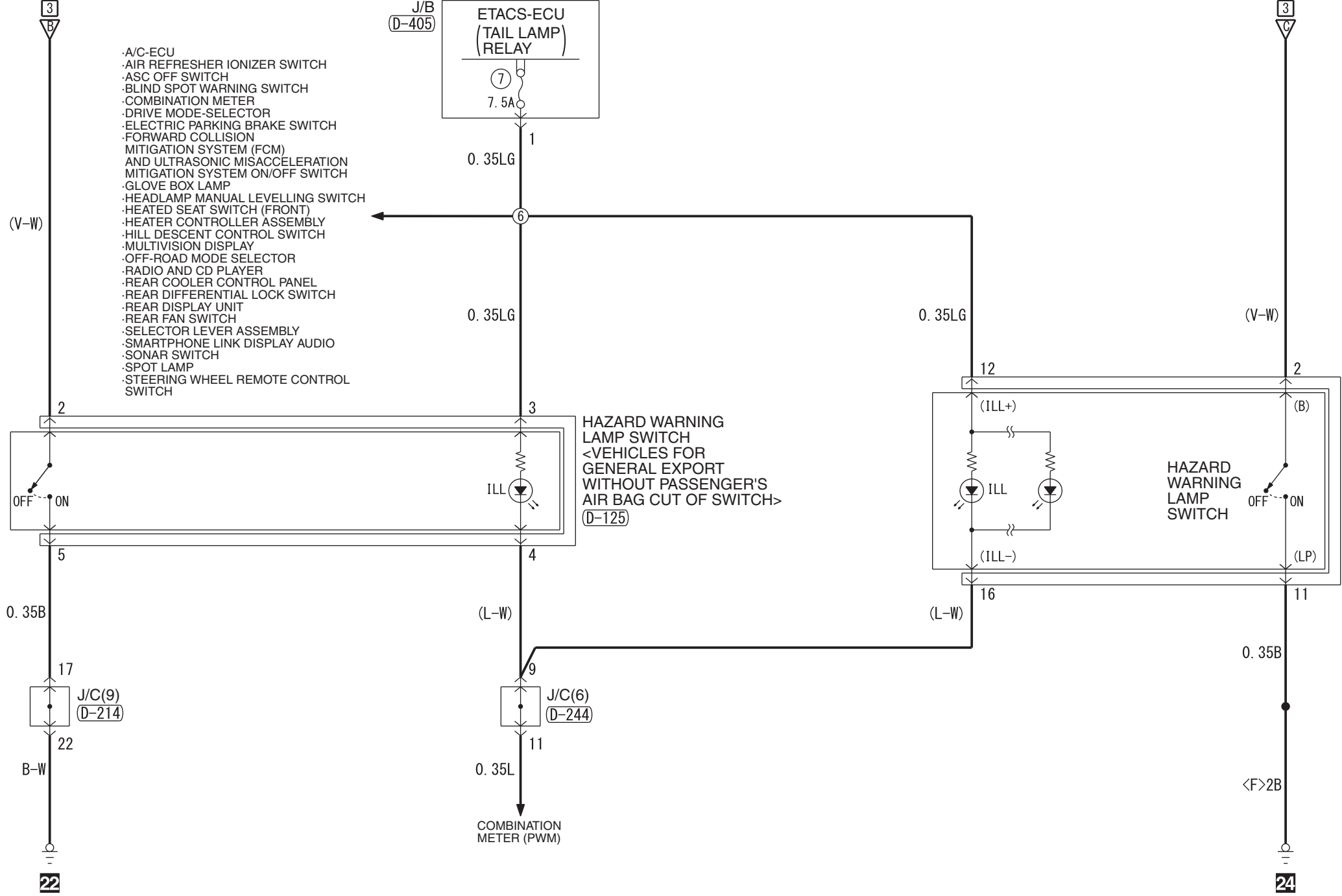


ETACS-ECU

ETACS-ECU

- .A/C-ECU
- .AIR REFRESHER IONIZER SWITCH
- .ASC OFF SWITCH
- .BLIND SPOT WARNING SWITCH
- .COMBINATION METER
- .DRIVE MODE-SELECTOR
- .ELECTRIC PARKING BRAKE SWITCH
- .FORWARD COLLISION MITIGATION SYSTEM (FCM) AND ULTRASONIC MISACCELERATION MITIGATION SYSTEM ON/OFF SWITCH
- .GLOVE BOX LAMP
- .HEADLAMP MANUAL LEVELLING SWITCH
- .HEATED SEAT SWITCH (FRONT)
- .HEATER CONTROLLER ASSEMBLY
- .HILL DESCENT CONTROL SWITCH
- .MULTIVISION DISPLAY
- .OFF-ROAD MODE SELECTOR
- .RADIO AND CD PLAYER
- .REAR COOLER CONTROL PANEL
- .REAR DIFFERENTIAL LOCK SWITCH
- .REAR DISPLAY UNIT
- .REAR FAN SWITCH
- .SELECTOR LEVER ASSEMBLY
- .SMARTPHONE LINK DISPLAY AUDIO
- .SONAR SWITCH
- .SPOT LAMP
- .STEERING WHEEL REMOTE CONTROL SWITCH



Wire colour code
 B : Black LG : Light green G : Green L : Blue W : White Y : Yellow SB : Sky blue BR : Brown
 O : Orange GR : Grey R : Red P : Pink V : Violet PU : Purple SI : Silver BE : Beige