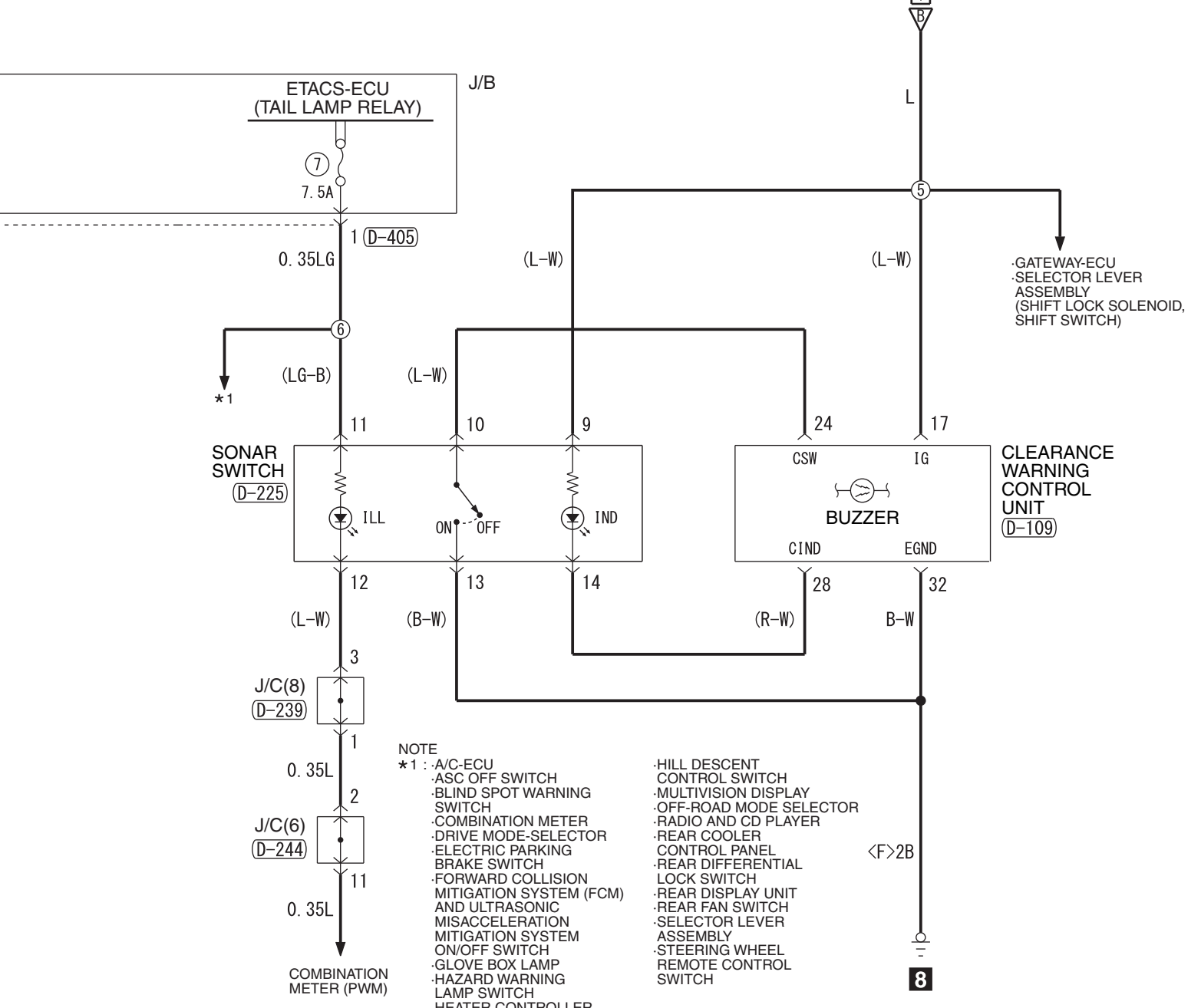
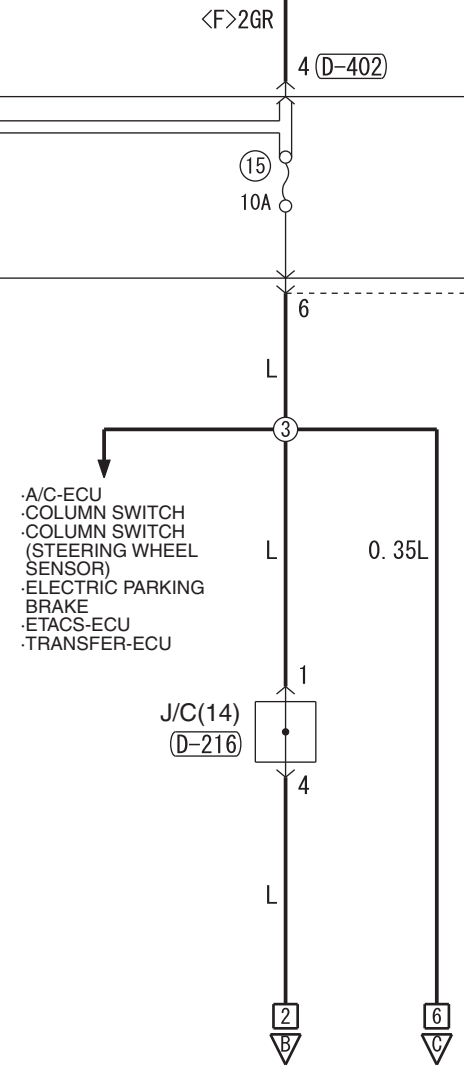
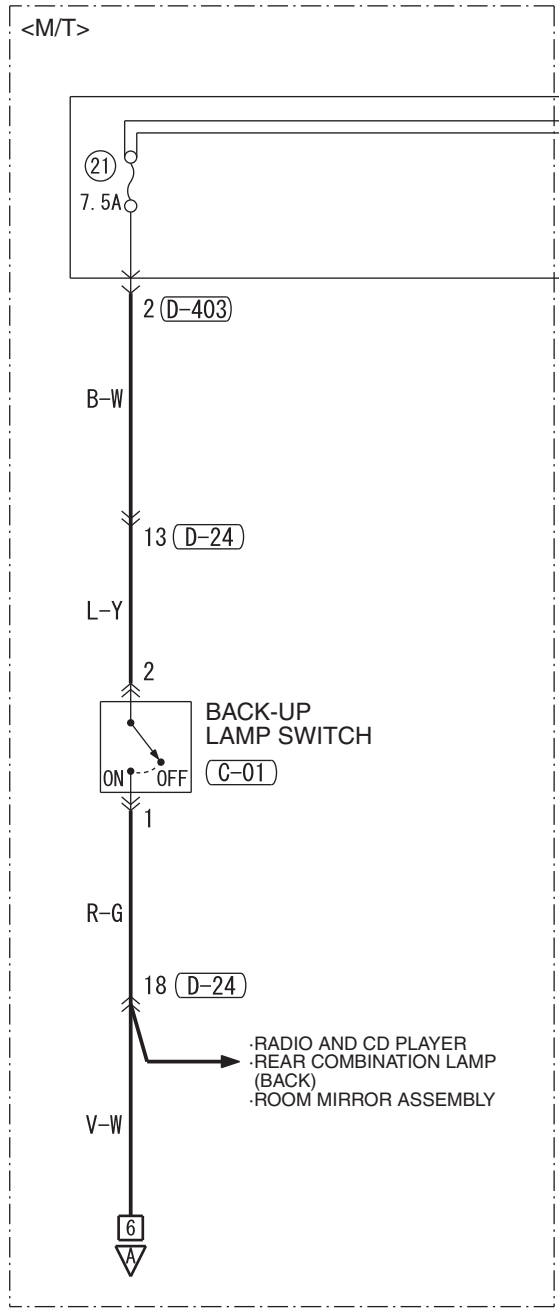
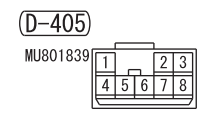
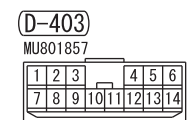
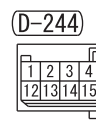
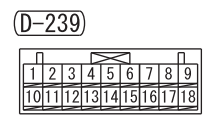
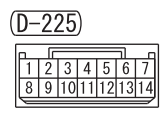
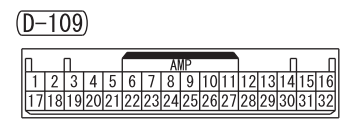
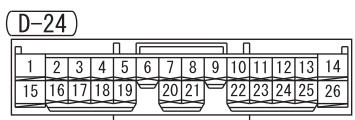


IGNITION SWITCH (IG1) OR IG1 RELAY



- A/C-ECU
- COLUMN SWITCH
- COLUMN SWITCH (STEERING WHEEL SENSOR)
- ELECTRIC PARKING BRAKE
- ETACS-ECU
- TRANSFER-ECU

- NOTE
- *1 : ·A/C-ECU
 ·ASC OFF SWITCH
 ·BLIND SPOT WARNING SWITCH
 ·COMBINATION METER
 ·DRIVE MODE-SELECTOR
 ·ELECTRIC PARKING BRAKE SWITCH
 ·FORWARD COLLISION MITIGATION SYSTEM (FCM) AND ULTRASONIC MISACCELERATION MITIGATION SYSTEM ON/OFF SWITCH
 ·GLOVE BOX LAMP
 ·HAZARD WARNING LAMP SWITCH
 ·HEATER CONTROLLER ASSEMBLY
- HILL DESCENT CONTROL SWITCH
 - MULTIVISION DISPLAY
 - OFF-ROAD MODE SELECTOR
 - RADIO AND CD PLAYER
 - REAR COOLER CONTROL PANEL
 - REAR DIFFERENTIAL LOCK SWITCH
 - REAR DISPLAY UNIT
 - REAR FAN SWITCH
 - SELECTOR LEVER ASSEMBLY
 - STEERING WHEEL REMOTE CONTROL SWITCH



Wire colour code
 B : Black LG : Light green G : Green L : Blue W : White Y : Yellow SB : Sky blue BR : Brown
 O : Orange GR : Grey R : Red P : Pink V : Violet PU : Purple SI : Silver BE : Beige