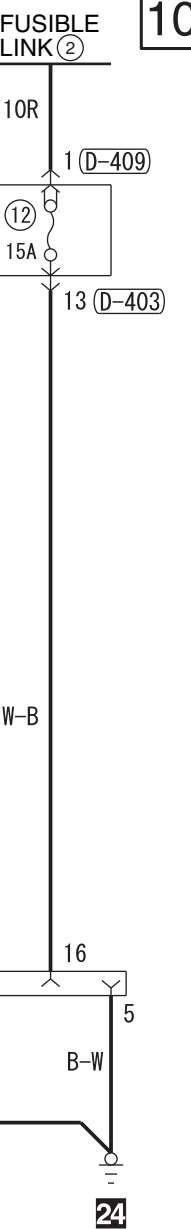
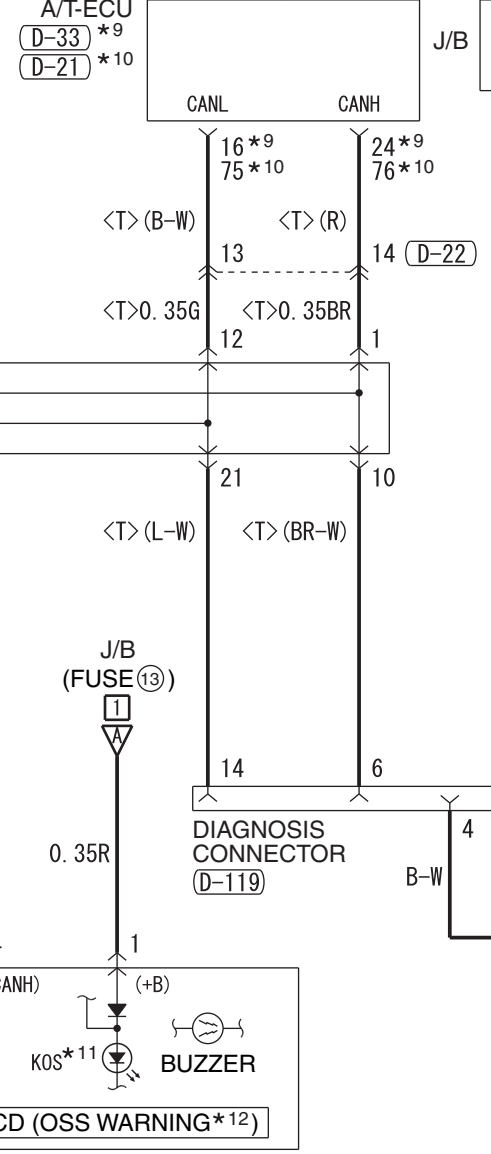
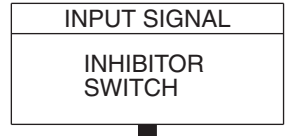
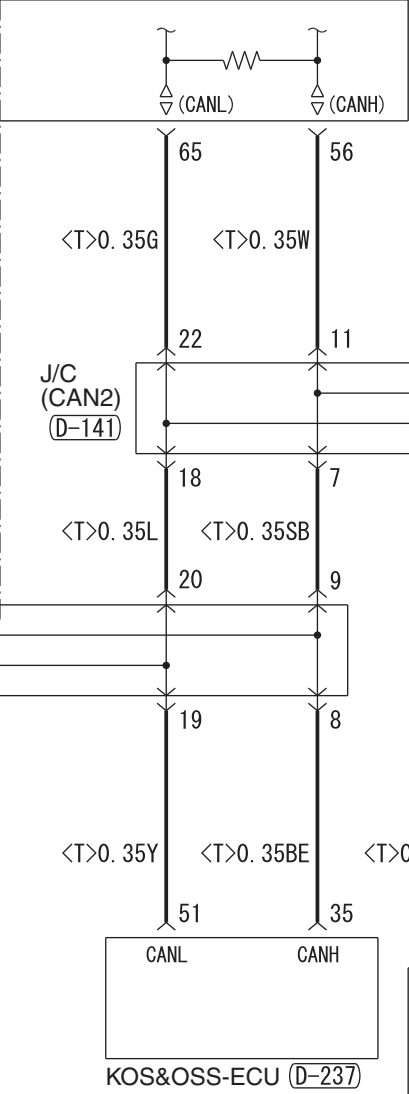
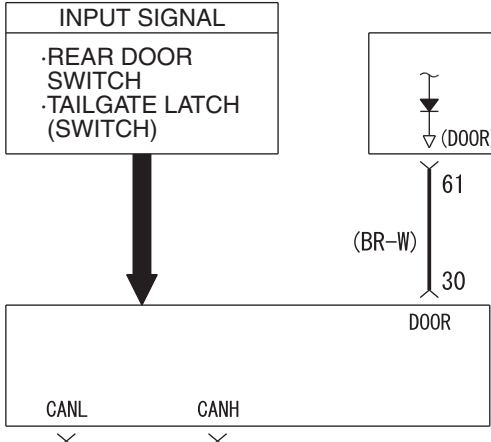
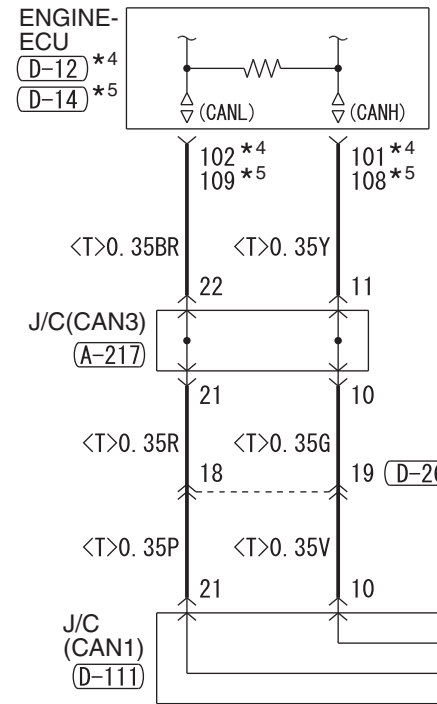


<VEHICLES WITH AUTOMATIC AIR CONDITIONER>



- NOTE
 *4: 6B3
 *5: 4D5, 4N1
 *6: VEHICLES WITHOUT ASTC
 *7: VEHICLES WITH ASTC
 *8: VEHICLES WITH COOLER OR MANUAL AIR CONDITIONER
 *9: 5A/T
 *10: 8A/T
 *11: MONO-COLOUR LIQUID CRYSTAL DISPLAY TYPE
 *12: COLOUR LIQUID CRYSTAL DISPLAY TYPE

