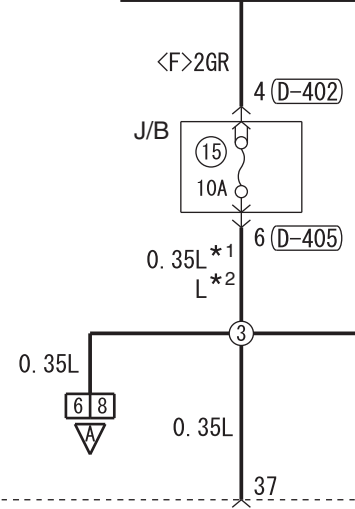
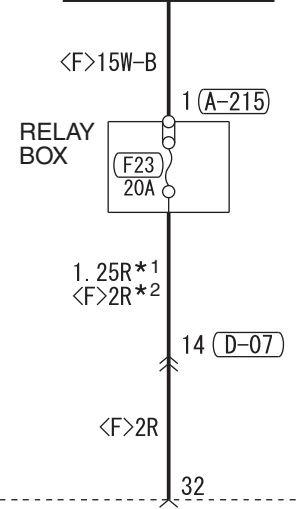


FUSIBLE LINK ③

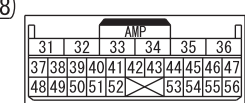
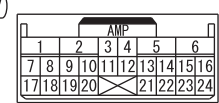
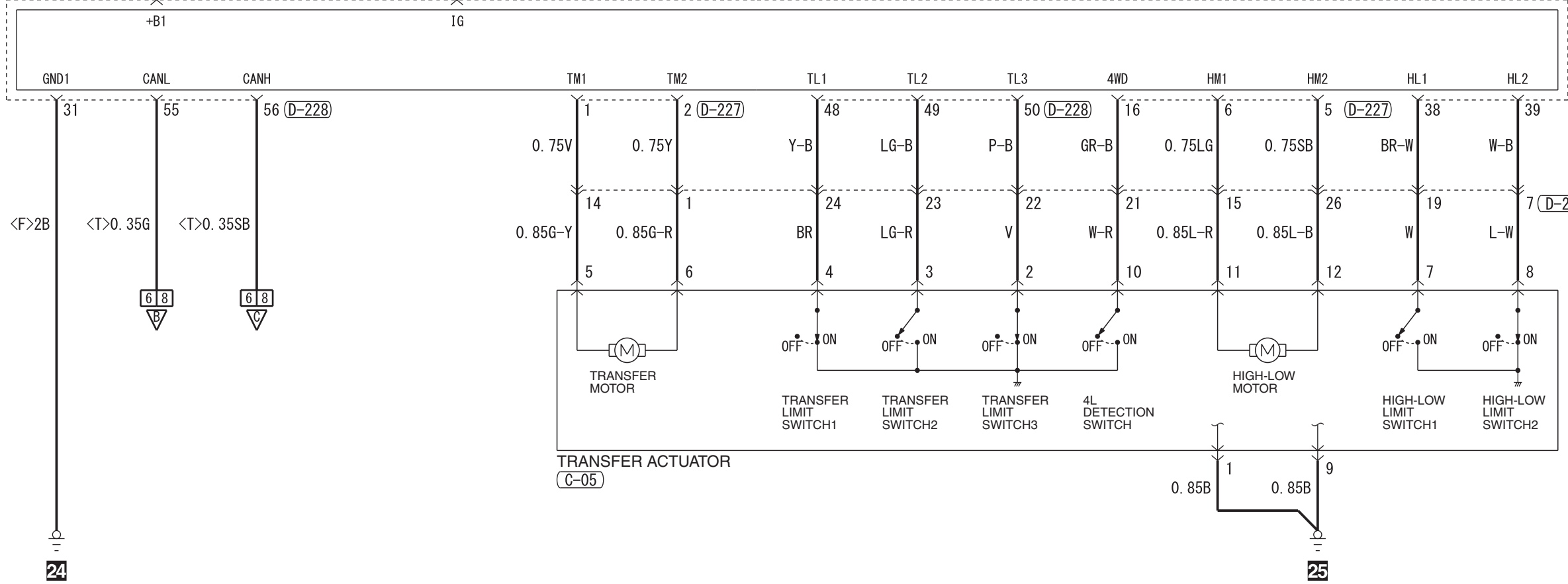
IGNITION SWITCH (IG1) OR IG1 RELAY



- A/C-ECU
- BLIND SPOT
- WARNING SWITCH
- CLEARANCE WARNING CONTROL UNIT
- COLUMN SWITCH
- COLUMN SWITCH (STEERING WHEEL SENSOR)
- E-CALL CONTROL UNIT
- E-CALL RELAY BOX
- ELECTRIC PARKING BRAKE
- ETACS-ECU
- GATEWAY-ECU
- HAZARD INDICATOR ASSEMBLY
- HEATED STEERING WHEEL SWITCH
- SELECTOR LEVER ASSEMBLY (SHIFT LOCK SOLENOID, SHIFT SWITCH)
- SONAR SWITCH

NOTE
 *1 : LHD
 *2 : RHD

TRANSFER-ECU



Wire colour code
 B : Black LG : Light green G : Green L : Blue W : White Y : Yellow SB : Sky blue BR : Brown
 O : Orange GR : Grey R : Red P : Pink V : Violet PU : Purple SI : Silver BE : Beige