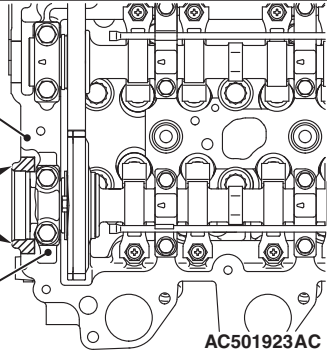


Cylinder head assembly



Camshaft bearing cap front left



AC501923AC