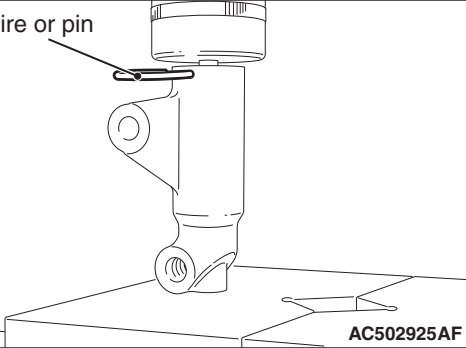


Wire or pin



AC502925AF