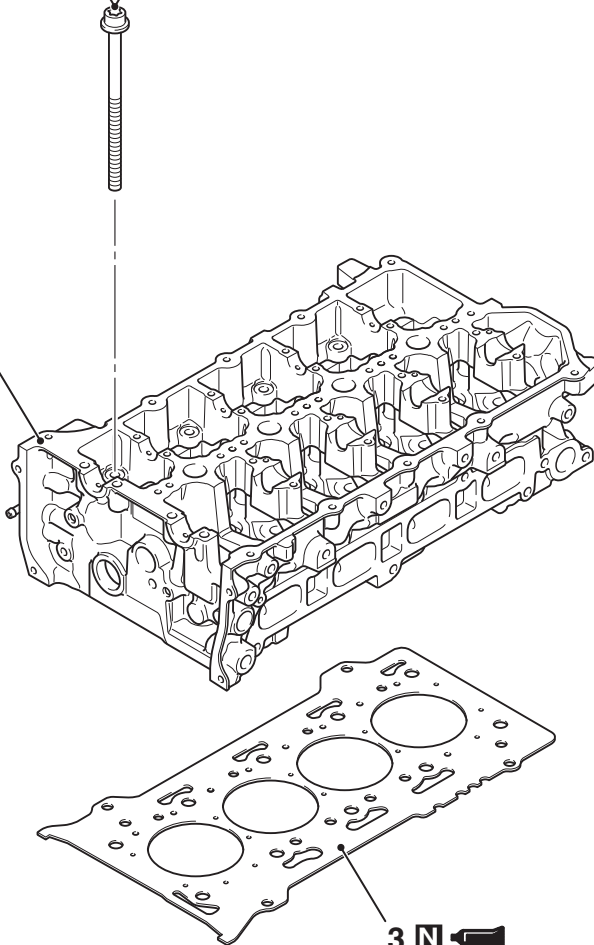


 **N 1**

<Cold engine>

50 ± 2 N·m, +90°, +90°, 0 N·m, 50 ± 2 N·m, +90°, +90° then +90°

2



3 N 