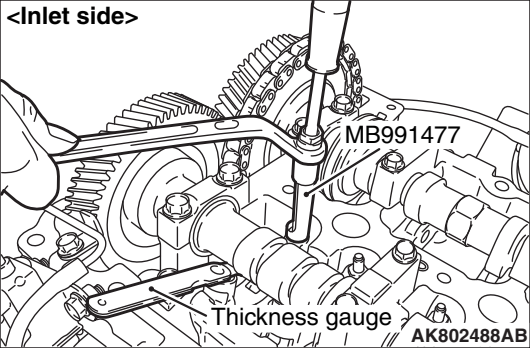


<Inlet side>



MB991477

Thickness gauge

AK802488AB