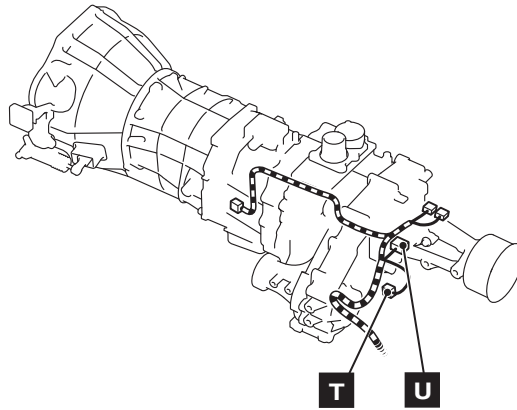
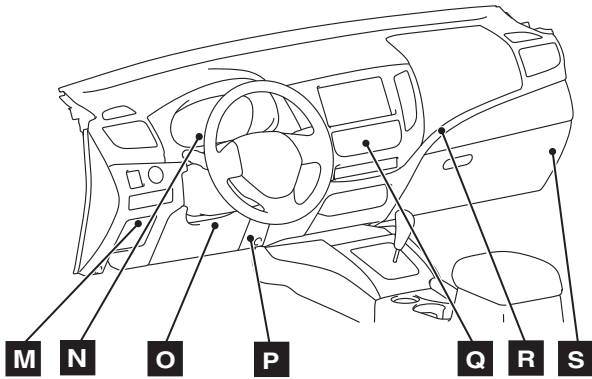


<M/T>



<LH drive vehicles>



<RH drive vehicles>

