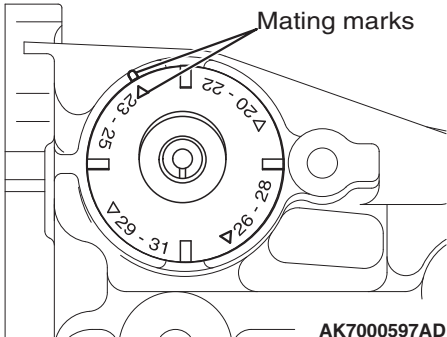


Mating marks



AK7000597AD