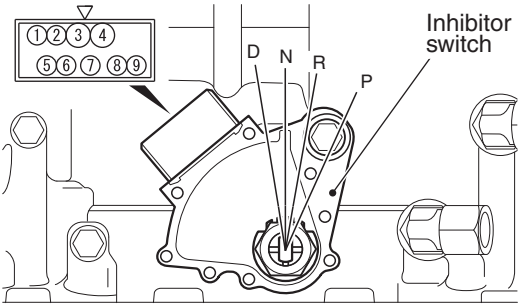


Inhibitor
switch

D
N
R
P



AC805021AI