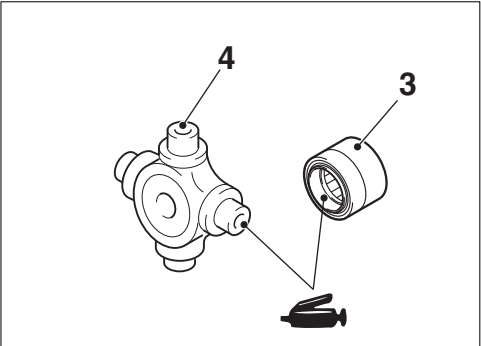
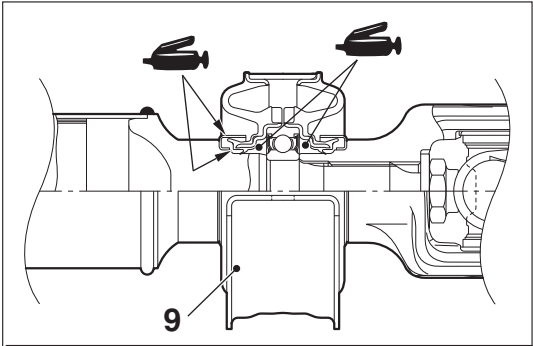


Rear propeller shaft <4G6, 4D5-M/T>



Grease: SHOWA SHELL  
SUNLIGHT NO.2 or equivalent



Grease: MULTEMP AC-J

