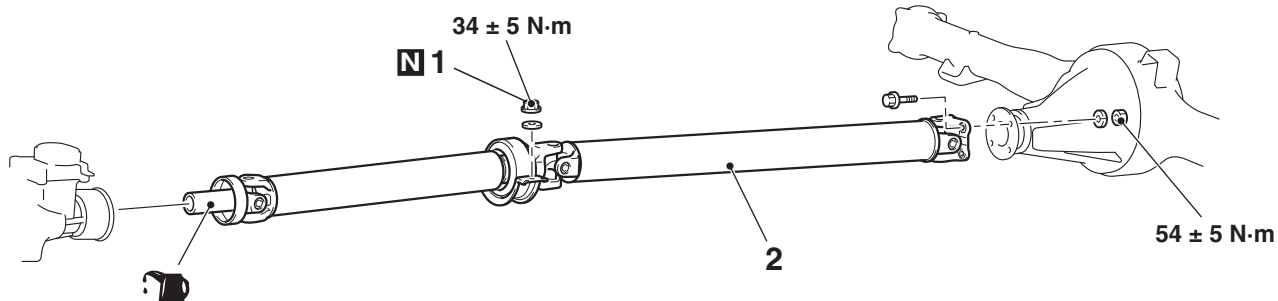
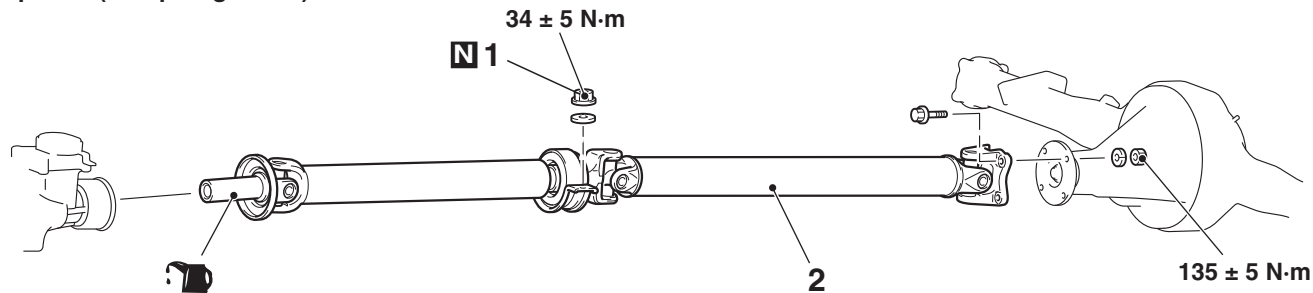


<Except 4N1 (High rider)>



<Except 4N1 (except High rider)>



Gear Oil :

MITSUBISHI MOTORS GENUINE MTF API classification GL-3 SAE 75W-85 or
MITSUBISHI MOTORS GENUINE Multi Gear Oil API classification GL-4 SAE 75W-855 <M/T>
MITSUBISHI MOTORS GENUINE ATF-PA <A/T>