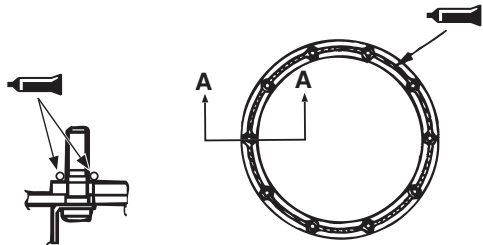
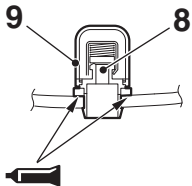
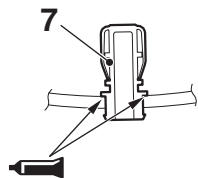


Section A - A

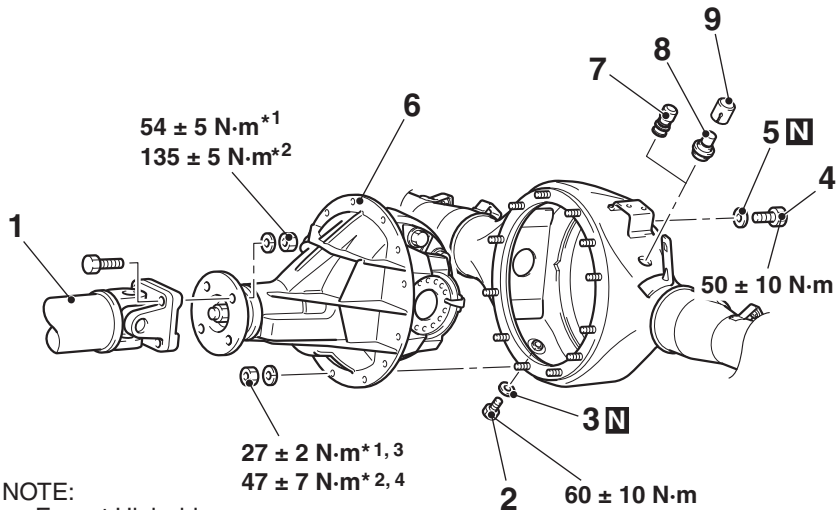


<Except High rider>

<High rider>



Sealant:  
ThreeBond 1217 or equivalent



NOTE:

\*1: Except High rider

\*2: High rider

\*3: M8 x 10

\*4: M10 x 10, M10 x 12