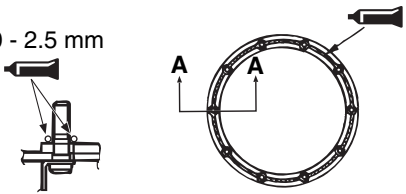


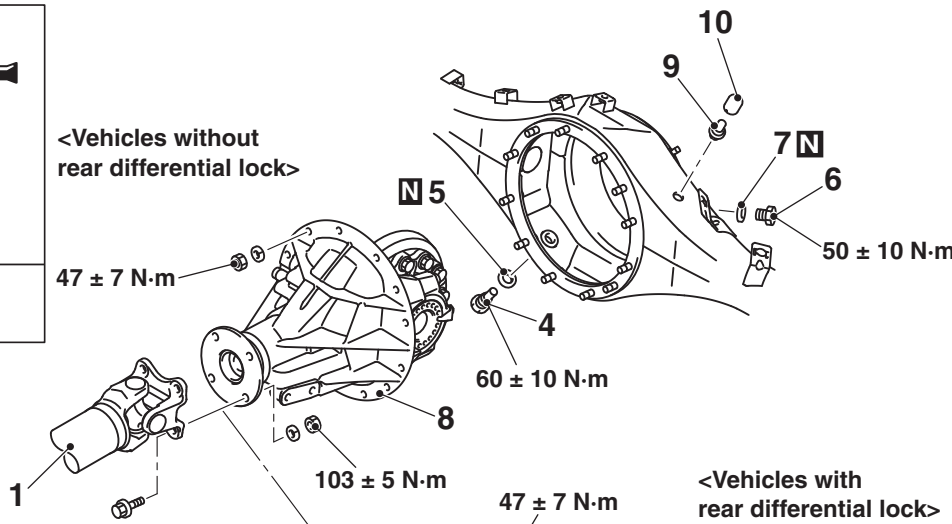
Section A - A

2.0 - 2.5 mm

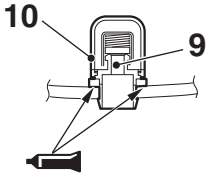
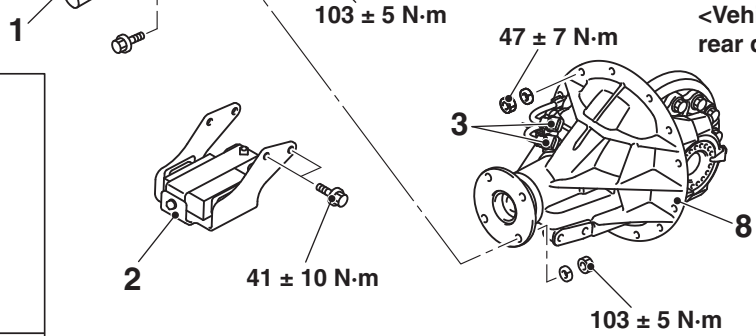


Sealant:
ThreeBond 1217 or equivalent

<Vehicles without rear differential lock>



<Vehicles with rear differential lock>



Sealant:
ThreeBond 1217 or equivalent