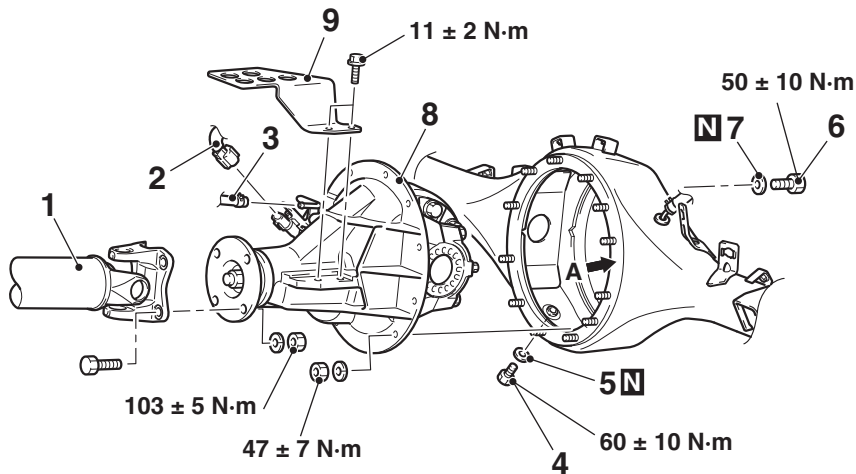


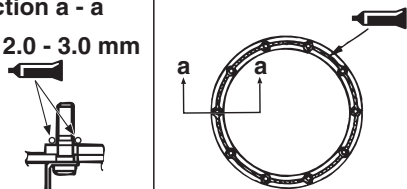
<Except vehicles with high power engine>



View A

Section a - a

2.0 - 3.0 mm



Sealant:

ThreeBond 1217 or equivalent

<Vehicles with high power engine>

