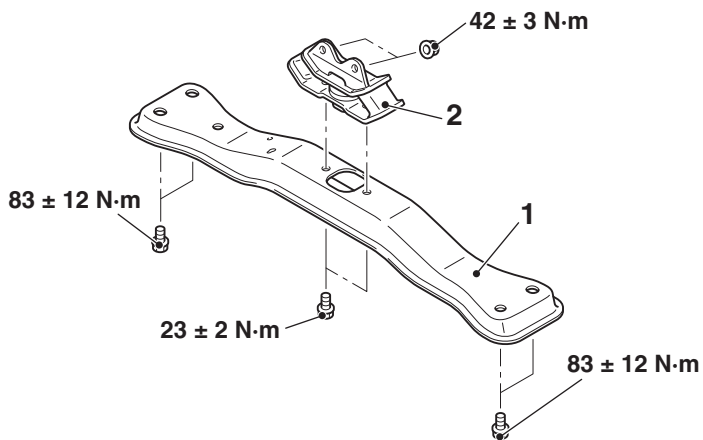
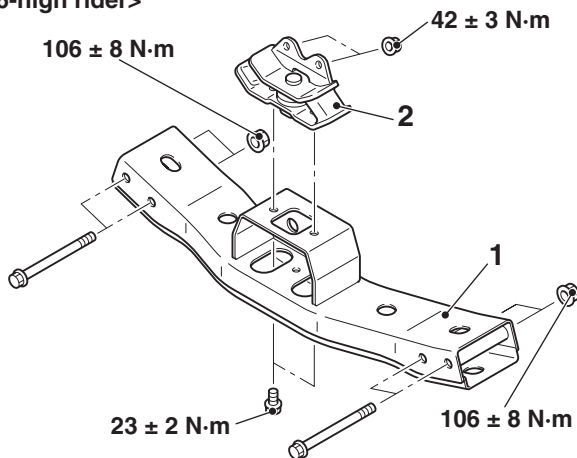


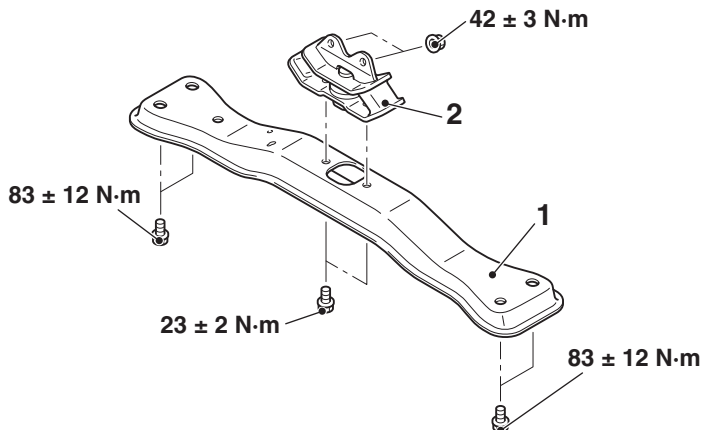
<4G6-except high rider>



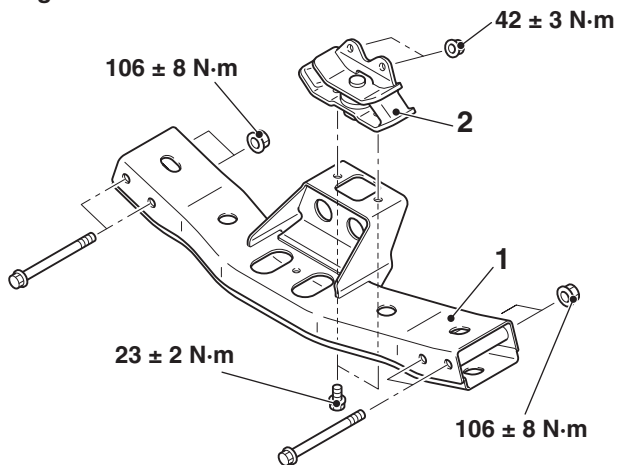
<4G6-high rider>



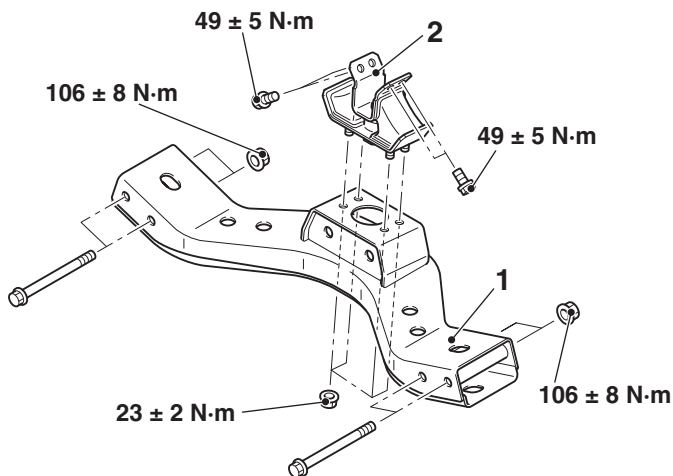
<4D5-except high rider-5M/T>



<4D5-high rider-5M/T>



<4D5-high rider-5A/T, 4N1-6M/T>



<4N1-5A/T>

