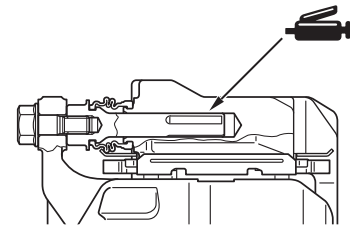


Piston seal

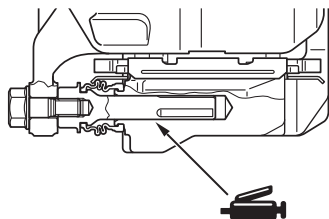
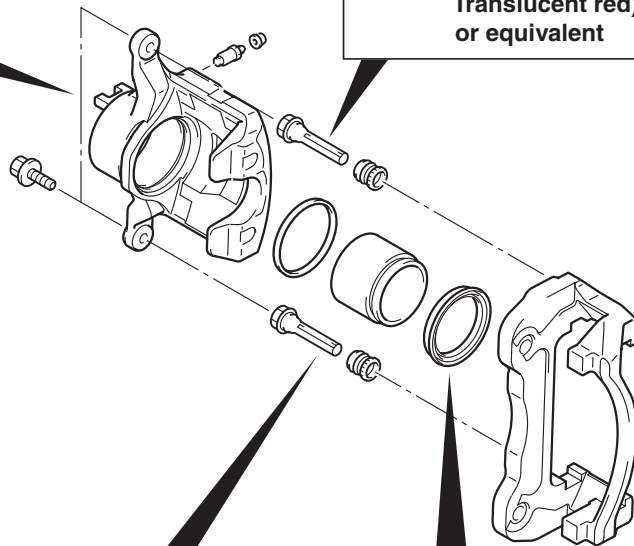
CAUTION

The piston seal inside the seal and boot kit is coated with a special grease. Do not wipe this grease off.

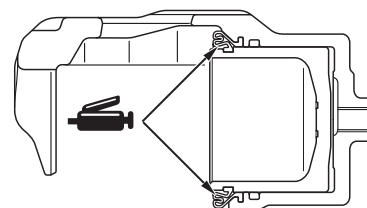
Brake fluid: DOT 3 or DOT 4



Grease: Repair kit grease (Colour: Translucent red), Niglube RX-2 or equivalent



Grease: Repair kit grease (Colour: Translucent red), Niglube RX-2 or equivalent



Grease: Repair kit grease