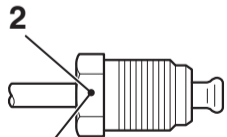
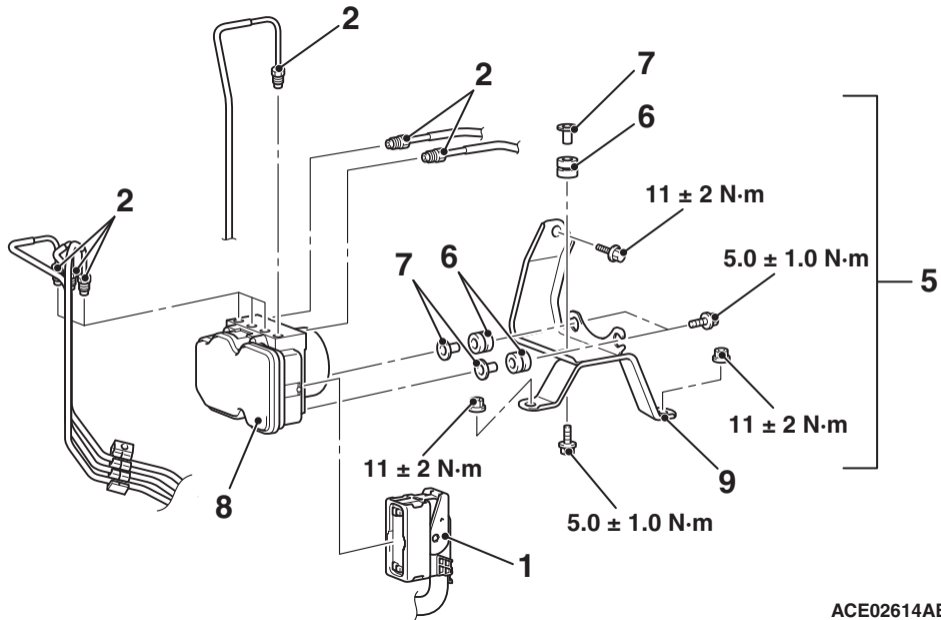


<L.H.drive vehicles>



$16 \pm 3 \text{ N}\cdot\text{m}$