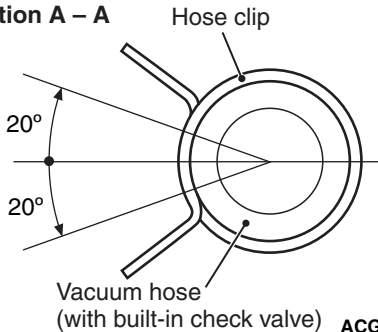


**Section A – A**



**ACG02952 AB**