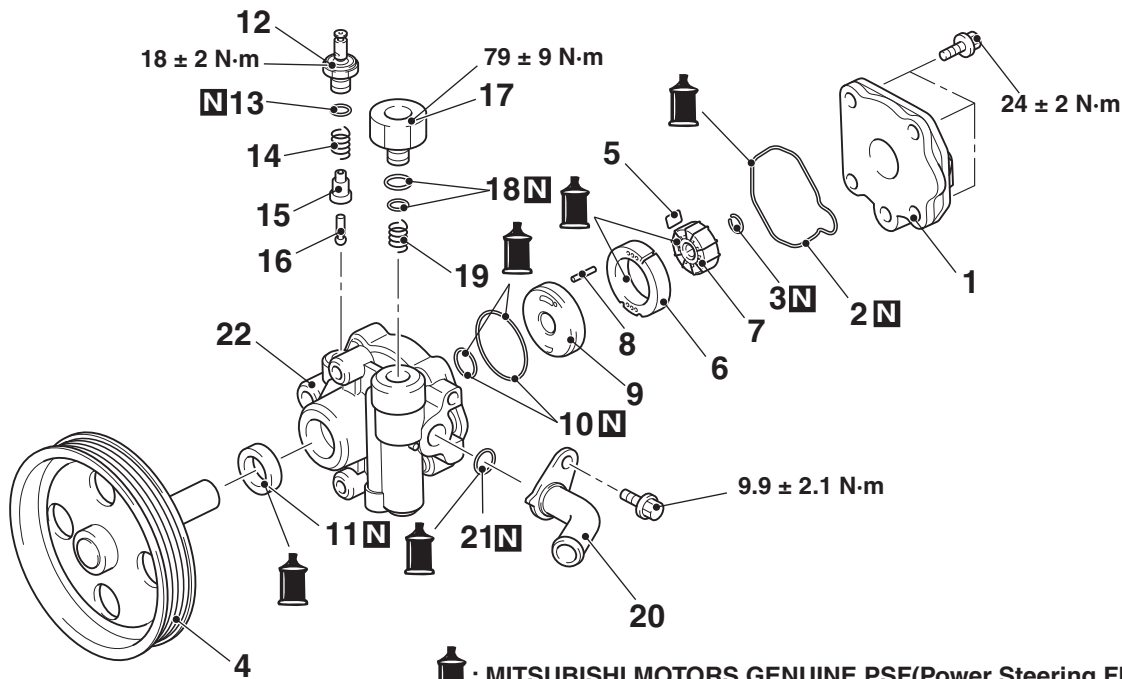


<4N1>



 : MITSUBISHI MOTORS GENUINE PSF(Power Steering Fluid)  
or DEXRON III, DEXRON II

ACE01657AB