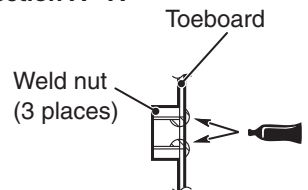


<2WD (Except high rider)>

**Section A - A**



Toeboard

Weld nut  
(3 places)

---

**Specified sealant:**  
**3M ATD Part No.8513**  
**or equivalent**

Note  
 : Claw positions

