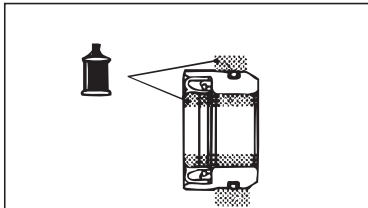
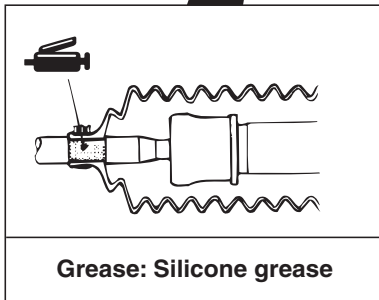
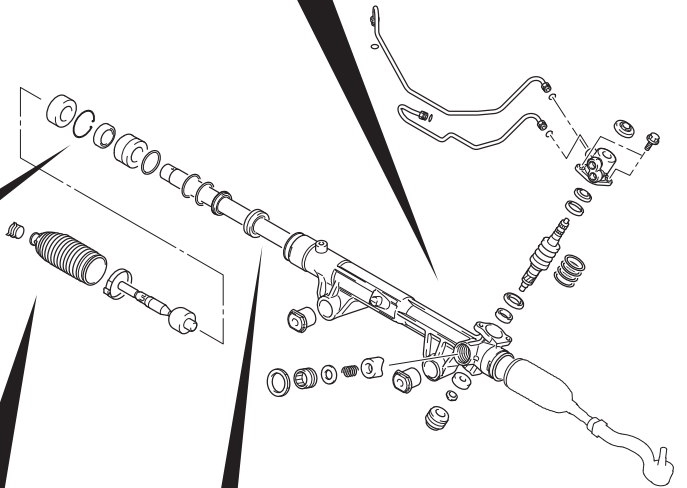


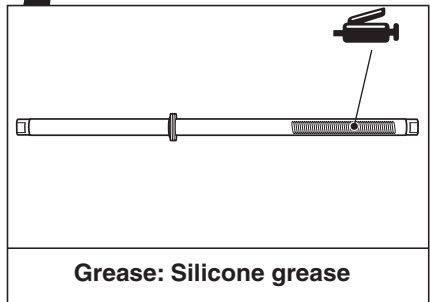
Grease: Repair kit grease
Fluid: MITSUBISHI MOTORS GENUINE PSF (Power Steering Fluid) or DEXRON III, DEXRON II
Sealant: 3M ATD Part No. 8663 or equivalent



Fluid: MITSUBISHI MOTORS GENUINE PSF (Power Steering Fluid) or DEXRON III, DEXRON II



Grease: Silicone grease



Grease: Silicone grease