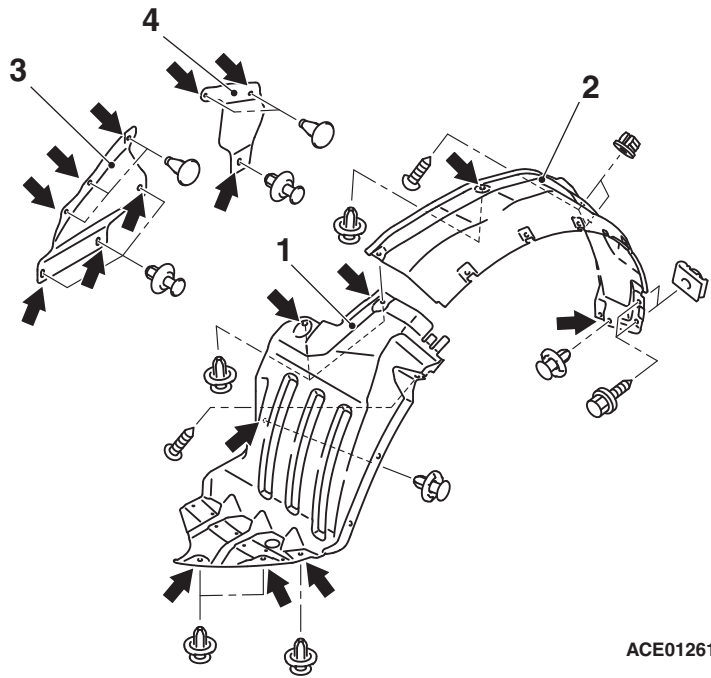
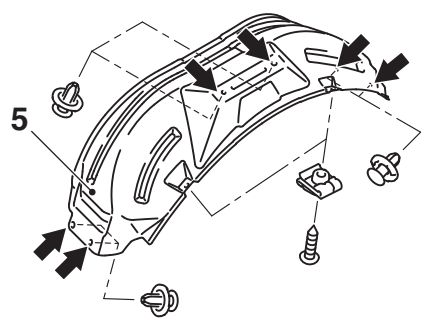


<Front splash shield>



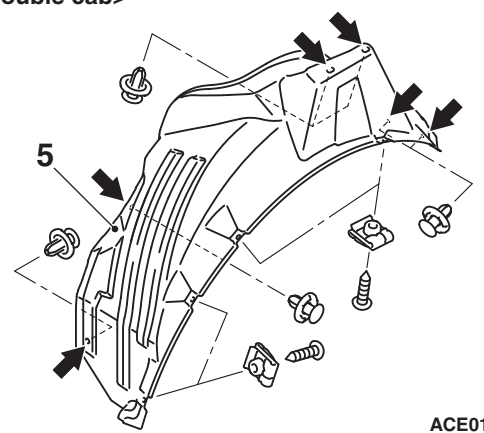
ACE01261

<Rear splash shield>
<Single cab and club cab>



ACE01262

<Double cab>



ACE01261

Note
← : Clip positions