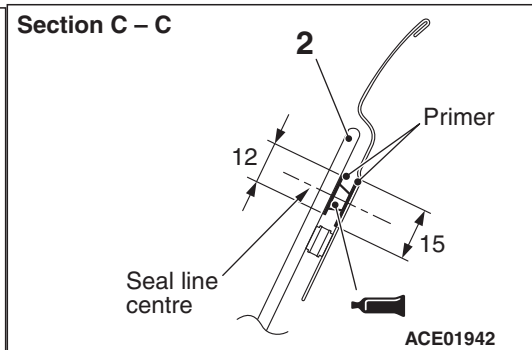
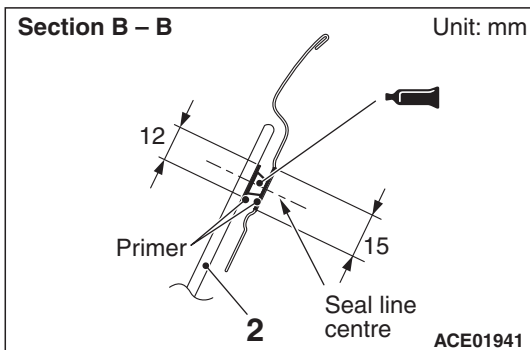
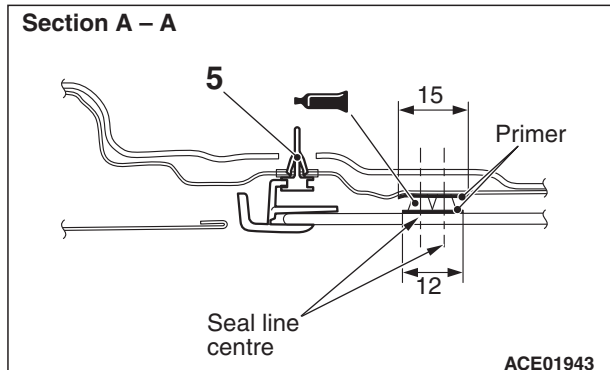


Apply the primer and adhesive along the fictitious lines (seal line) between the marks



Adhesive: 3M ATD Part No. 8609 Super Fast Urethane Auto Glass Sealant or equivalent and 3M ATD Part No. 8608 Super Fast Urethane Primer or equivalent