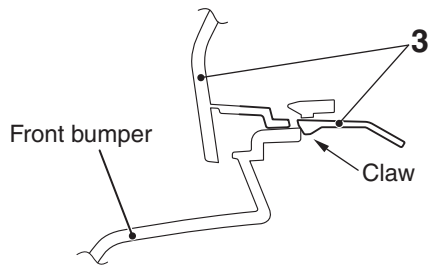
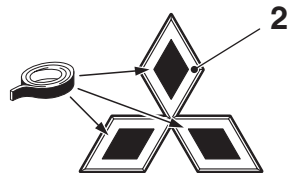


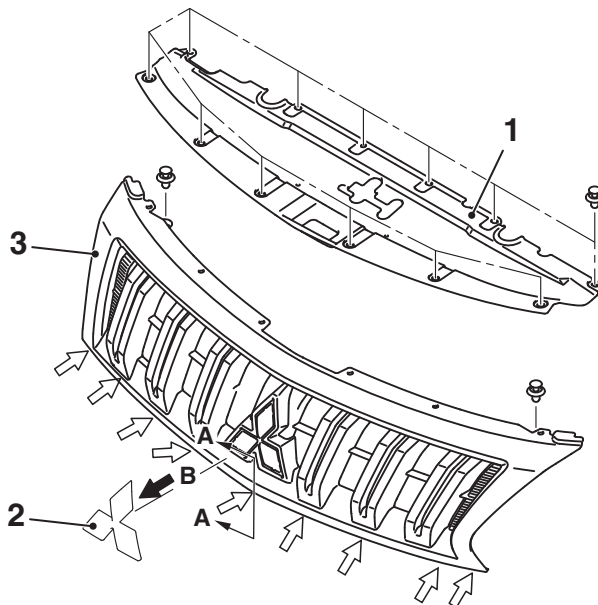
Section A – A



View B
Double-sided tape (when mark reused)



Adhesive tape: Double-sided tape
Generic products, 1.2 mm thickness
Specified primer: 3M-K500



NOTE
←: Claw positions