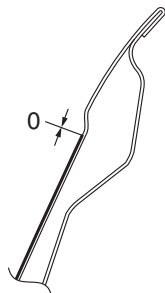
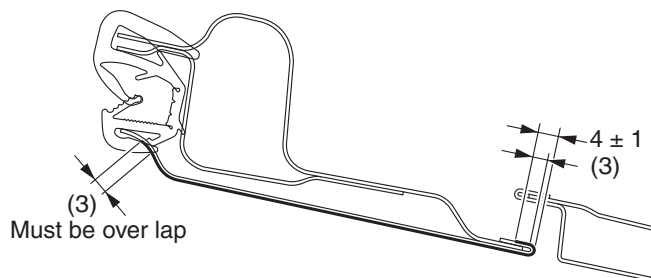


Section A - A

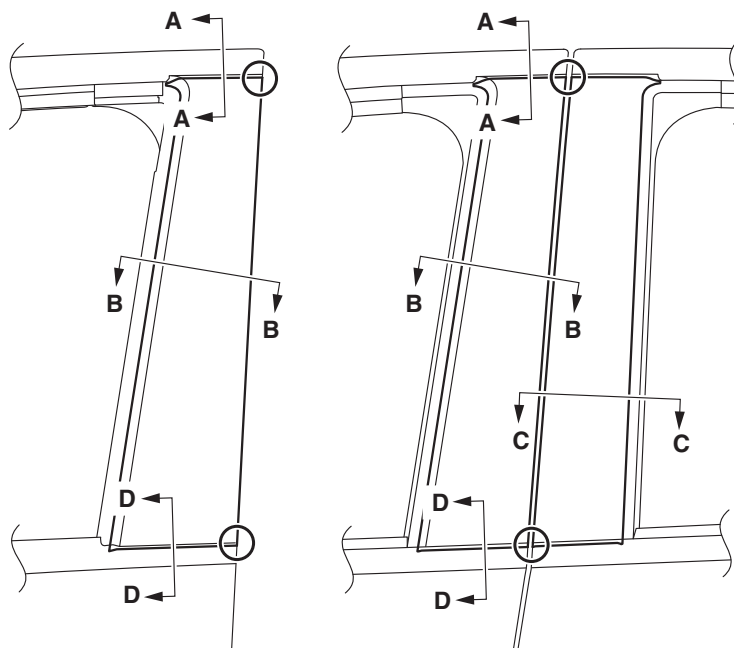
Unit: mm

**Section B - B**

Unit: mm



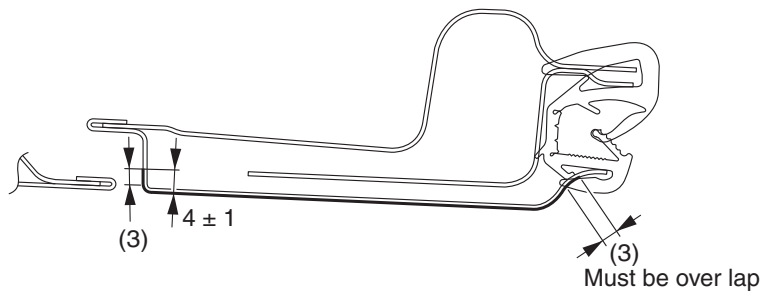
ACE02198



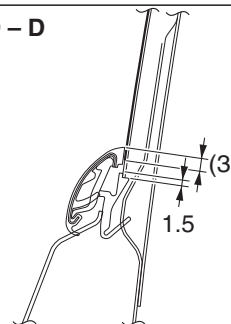
○ : Tape locating points

Section C - C

Unit: mm

**Section D - D**

Unit: mm



ACE02199

ACE02197AB