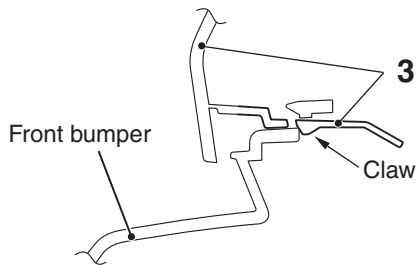
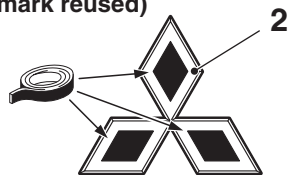


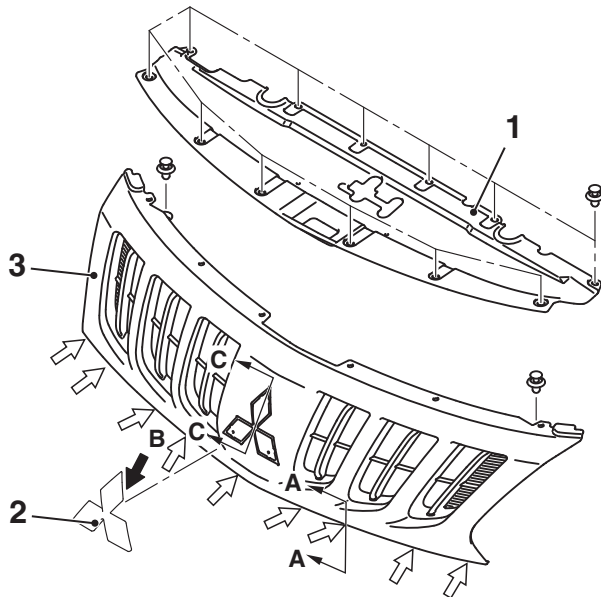
**Section A – A**



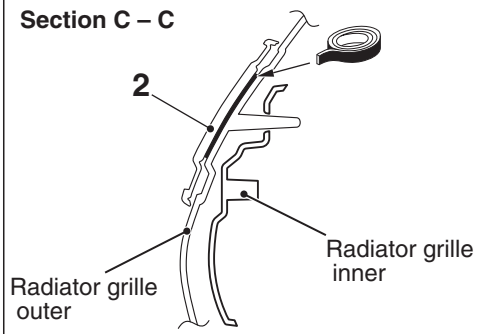
**View B**  
**Double-sided tape**  
**(when mark reused)**



**Adhesive tape: Double-sided tape**  
**Generic products, 1.2 mm thickness**  
**Specified primer: 3M-K500**



**Section C – C**



**NOTE**

←:Claw positions